

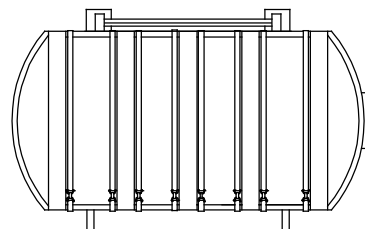
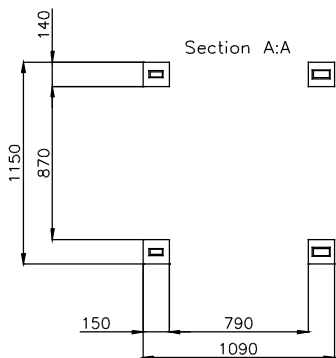
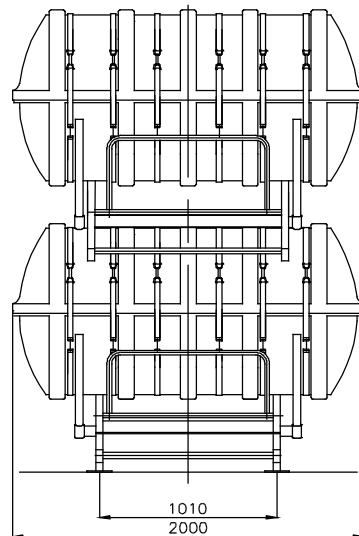
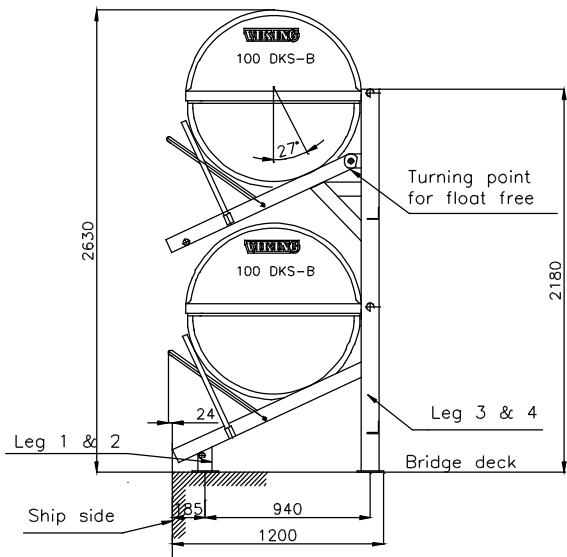
First angle projection



Weight (two rafts incl. rack): app. 1250kg

Max. actions by support on deck in KN.
Positive actions in direction of movement

	X	Y	Y	Z	Z
Leg 1 & 2	4.9	1.3	-3.8	2.7	-16.2
Leg 3 & 4	5.3	14	-11.4	41.4	-30.5



New part no. 1014836
Old part no. 052-6148

Weight: 175 Kg.

1014836 (052-6148) : Sa. + Pr.
1014908 (052-6148 G) : Gal.
1014909 (052-6148 P) : Color Ral 9010
1014907 (052-6148 C) : Custom spec.

In case VIKING does not manufacture the cradle, VIKING will not be held responsible for construction, dimensioning and choice of material for the rack.

Measurements without tolerances ± 25

Copyright of VIKING LIFE-SAVING EQUIPMENT, DENMARK, whose property this document remains. No part thereof may be disclosed, copied, duplicated or in any other way made use of, Except with the approval of VIKING LIFE-SAVING EQUIPMENT, DENMARK.

6438/0	28.06.04	MS
#/5042S	15.03.01	MS
*/1218S	30.11.99	MS
Issue/ ref. no	Date:	Check:



P. O. Box 3060
6710 Esbjerg V
Denmark

RACK SYSTEM FOR 2x100 DKS-B

Scale:	Dir. in:	Drawn.:
1:20	mm	25.11.99/GA
		Check.:
		25.11.99/MS

Drawing no.: 834-049.3-2

CAD Nr.: 8340492