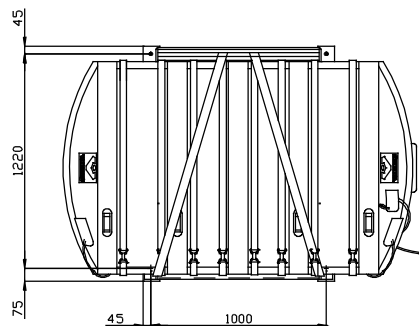
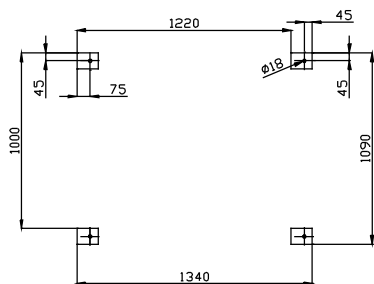
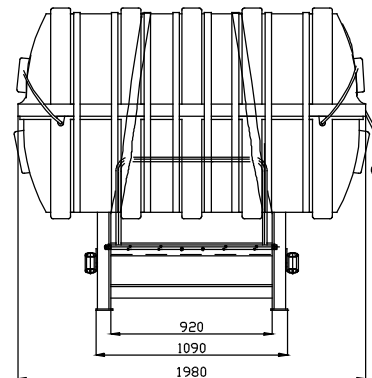
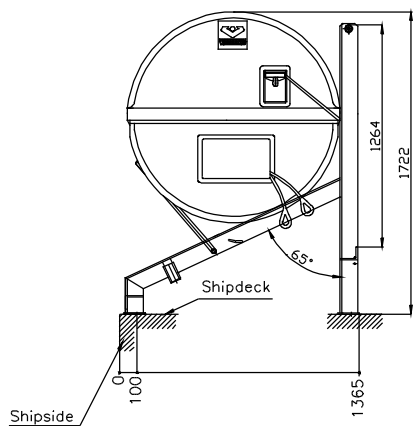


First angle projection



Measure are for guidance only

In case VIKING does not manufacture the cradle, VIKING will not be held responsible for construction, dimensioning and choice of material for the rack.

1014865 (052-6182) : Sa. + Pr.
 XXXXXXX (052-6182 G) : Gal.
 XXXXXXX (052-6182 P) : Color Rat 9010
 1022776 (052-6182 C) : Costom spec.

Old part no.:052-6182
 New part no.:1014865

Vægt: 110 kg
 .x = Last issue

VIKING
 COPYRIGHT
 Date: 09.08.03 ENG
 TECHNICAL DEPARTMENT
 Design office

016-0179	DKS 100"B" VEMS	
016-0135	DKS 150"B"	1014874
016-0135	DKS 100"A"	1014874
Container	Description:	Lashing:

5489/*	11.10.05	MS
Issue/ ref. no	Date:	Check:

1	Rampstand	1	836-222-2
Mfr. no.	Object	Piece	Draw. no.
Copyright of VIKING LIFE-SAVING EQUIPMENT, DENMARK, whose property this document remains. No part thereof may be disclosed, copied, duplicated or in any other way made use of. Except with the approval of VIKING LIFE-SAVING EQUIPMENT, DENMARK.			
	P. O. Box 3060 6710 Esbjerg V Denmark	Scale: 1:20	Drawn: 29.01.01 MS Check: 29.01.01 GA
General arrangement Rack for 1 pc liferaft			Drawing no.: 836-259.1-2
			CAD Nr.: 8362592