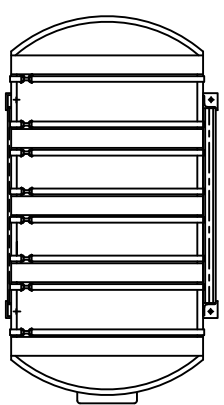
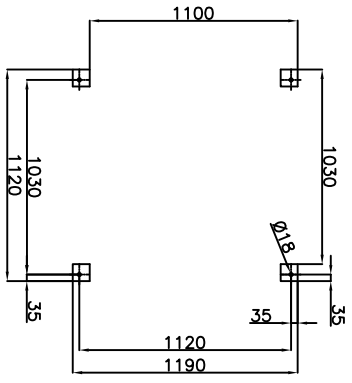
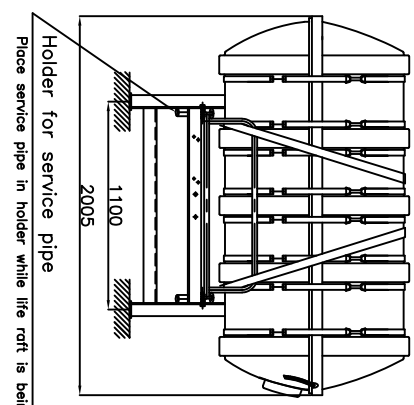
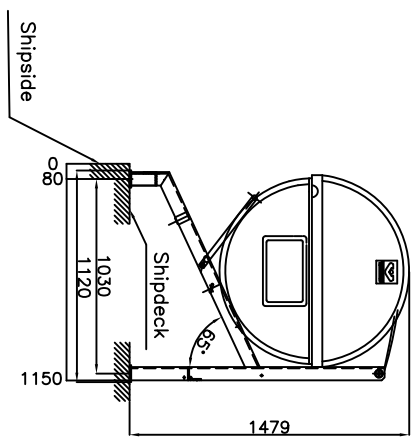


First angle projection



 Designer: **ERIKS ENG**

TECHNICAL DEPARTMENT

 Design office

Measure are for guidance only

In case VIKING does not manufacture the cradle, VIKING will not be held responsible for construction, dimensioning and choice of material for the rack.

016-0194	VEMS100DKR	1014458
016-0186	DKR 150	1014458
016-0186	DKS 100"BI	1014458
Container Part no.:	Description:	Lashing arr.

New part no. 1004196
Part no.:052-5081

51655/#	16.02.02.LJ	MS
*/16855	16.01.01.ENG	MS
*/15035	26.09.00EB	MS
D/14735	04.08.00ENG	MS
Issue/rel. no	Date:	Check-:

Weight: 61 Kg

1	Rack	1	836-026.x-2
MP No.	Object	Price	Draw. no.

Copyright of VIKING LIFE-SAVING EQUIPMENT, BERNHARD, whose property this document remains. Its part thereof may be disclosed, copied, reproduced or in any other way made use of, except with the approval of VIKING LIFE-SAVING EQUIPMENT, BERNHARD.



VIKING
LIFE-SAVING EQUIPMENT

P. O. Box 3080
6710 Espjerg V
Denmark

Scale: 1:20
Dim. in Drawn: mm
Check: 17.05.94 LJ
17.05.94 PEA

General arrangement for rack for 1 pos. life raft container

Drawing no.: 836-027.4-2
CAD No.: 8360272