

HD-35 Davit for GES-35 Free Fall Lifeboat:

SWL Lowering	12000 kg
Hoisting speed	5 m/min
Lowering speed	5 m/min
Total davit weight	APPROX. 10532 kg
Design specification	20° list / 10° trim
Primary means of launching	Free fall 20° list, 10° trim simultaneously
Secondary launching	Lowering by winch (5° list / 2° trim) EL. Power must be available
Max. inst. height	28 m

- NOTES:**
- Access platforms, handrails, doubler plates etc. :Yard supply.
 - Location of hydraulic power unit to be decided by yard. (Under-deck installation IP55).
 - Hydraulic piping between hydraulic power unit, davit and control valve to be yard supply.
 - All electric wiring by yard.
 - All field welds to be performed acc. to approved WPS. (Yard responsible)
All field welding is subject to class approval prior to start welding.
 - All field welds shown to be welded by yard during installation. 100% NDT on all field welds as per yard qualified NDT procedures.

FORCES IN DECK (POINT LOAD EACH SIDE):

	Horizontal	Vertical	Horizontal	Moment		
	FORCE X	FORCE Y	FORCE Z	MOM X	MOM Y	MOM Z
	kN	kN	kN	kNm	kNm	kNm
F1	±197	205	±44	±63	±34	±31
F2	±200	±129	±43	±15	±22	±77

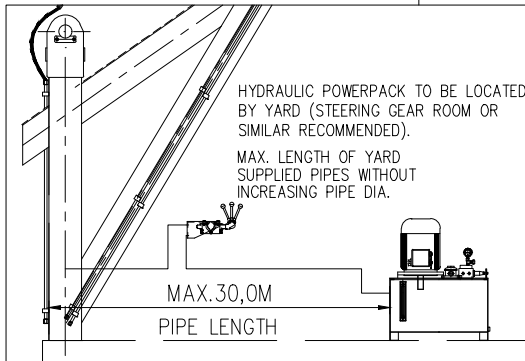
Reaction forces:
Reaction forces as joint loads side, marked with nodes on deck interface.
For orientation of forces see legend with marked XYZ vectors.
All forces are point loads, nominal forces without any factors.

REV	DESCRIPTION	BY	CHECK	APPRO	DATE
2	Reissued for approval	SHWA	GACA	WAGU	06.07.2022
1	Reissued for approval	JUCH	CEZH	WAGU	26.06.2019
0	Issued for approval	TTH	JETA	WAGU	02.06.2016

VIKING NORSAFE
VIKING Norsafe Life-Saving Equipment Norway AS
P.O. Box 115 4852 Færvik NORWAY
Tel: +47 37 05 85 00
Fax: +47 37 05 85 01
24/7 Service: +47 37 05 63 33
Email: Viking-Norsafe@viking-life.com

Drawn by: TTH, Check by: JETA, Appr. by: WAGU, Initial release date: 02.06.2016

Project number	Project name	Client number
Title HD-35 Davit for GES-35 (INI WINCH/HYD FF)		Material Number
Drawing type GA		Weight
Drawing Number G-501461		Projection method
Tolerances ISO 2768-mK, ISO 13920-BF		Scale 1:100
Revision 2		Sheet Size A3
		Sheet No. 1/1



DAVIT CONTROL VALVES TO BE LOCATED BY YARD.
IMPORTANT: INSTALL BRACKET WHERE THE LIFEBOAT CAN BE SEEN WHEN WATERBORNE.