

1

2

3

4

5

6

A

A

B

B

C

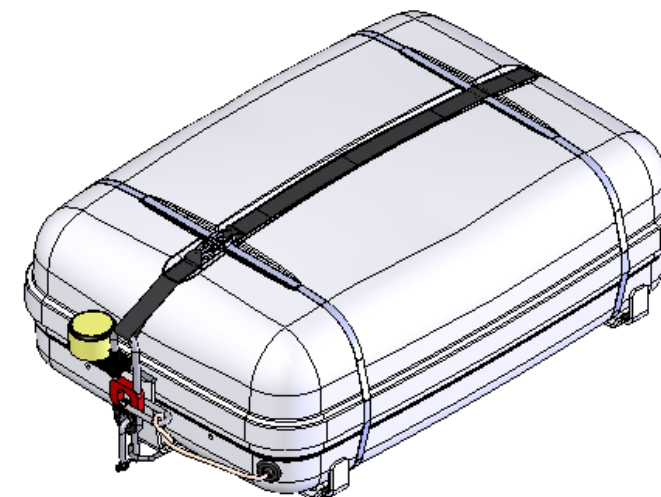
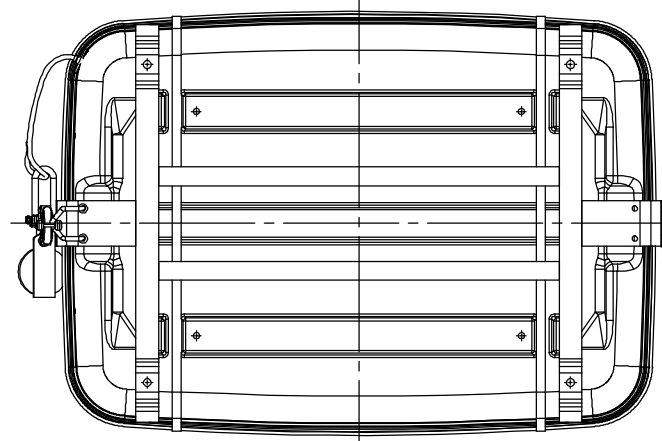
C

D

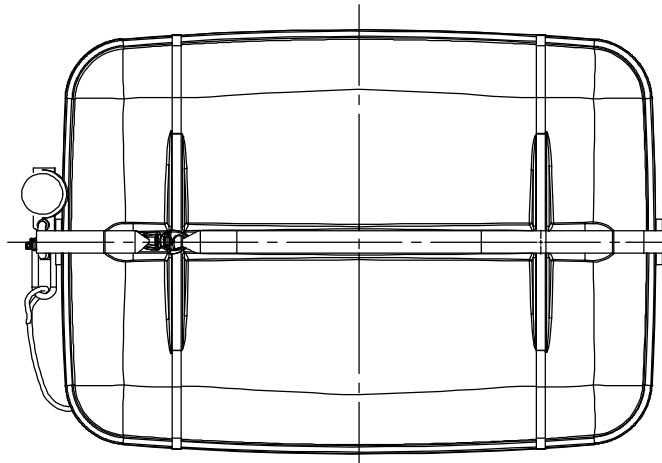
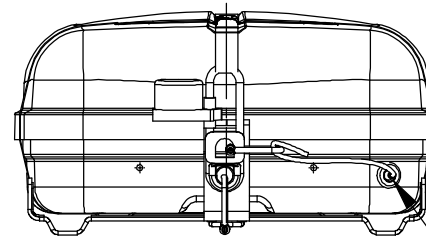
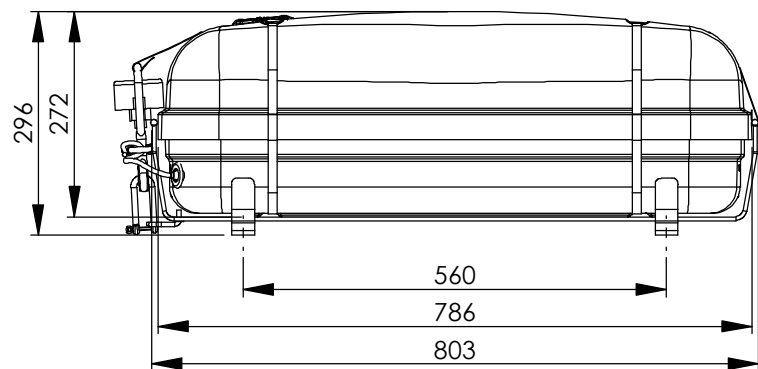
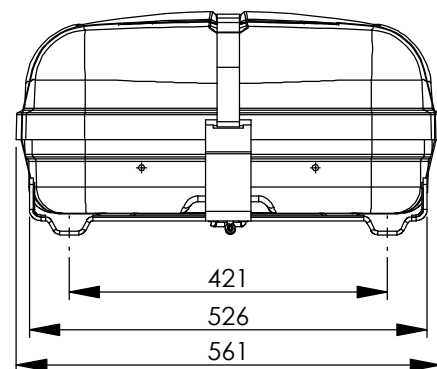
D

E

E



Painter line



3	Hammar H20 Small Raft	1010315	-	-
	COMPL. KIT, HRU FITTINGS FOR YACHTING	1035493	-	AISI316
2	CRADLE FOR GRP TYPE 37XX & 39XX	1031480	16000744	AISI316
	FITTINGS, CPL. STAINLESS 36XX/38XX/39XX	1031221	16000707	AISI316
1	CRADLE FOR GRP TYPE 37XX & 39XX	1031480	16000744	AISI316
Item	Object	Part no	Drawing no	Material

If the product is requested to be manufactured differently, this MUST be approved by VIKING LIFE-SAVING EQUIPMENT A/S and a specification of change must be filled in if the alteration is approved. Unless otherwise specified the product must always be clearly labelled with Viking part no., manufacturer ID and manufacturing year.

MATERIAL NO: 1021622	Old DWG No: -	STATUS:	UNITS: mm/kg	WEIGHT: 9.951	CHECK DATE/INIT: /
BASIC MATERIAL:	SURFACE TREATMENT: -	SHEETSIZE: A3	SCALE: 1:10	SHEET NO.: 1/1	DRAWN DATE/INIT: /



VIKING LIFE-SAVING EQUIPMENT A/S
Sædding Ringvej 13, DK-6710 Esbjerg V
Tel.: +45 7611 8100
Fax.: +45 7611 8101
E-mail: viking@viking-life.dk
Web: www.VIKING-life.com

PROJEKTION TYPE
FIRST ANGLE PROJECTION
GENEREL TOLERANCE:
-

DESCRIPTION:
4-6 UKL and 4 UKSL with HRU
Sales Specification for Container 016-3900
For Yatching se skema SKKE 056

Copyright of VIKING LIFE-SAVING EQUIPMENT DENMARK whose property this document remains. No part thereof may be disclosed, copied, duplicated or in any other way made use of except with the approval of VIKING LIFE-SAVING EQUIPMENT DENMARK.

CAD NO.:	Drawing NO.:	REV NO.:
14001252	16001742	00

REV	DESCRIPTION	DATE

1

2

3

4

5

6