



Training liferafts

Throw overboard, davit-launched, self-righting and davit-launched self-righting



Instruction of maintenance Liferafts for training purposes

VIKING LIFE-SAVING EQUIPMENT
- Protecting people and business

WHEN IT COMES TO
safety
— THINK VIKING™



Training liferafts

Throw overboard, davit-launched, self-righting and davit-launched self-righting

List of contents

Subject:	Page:
Rubber fabric.....	3
Cylinder and filling.....	3
Patches	4
Use	4
Storage.....	4
Repair	4
General commends	4
Packing of training liferafts.....	5-7



Training liferafts

Throw overboard, davit-launched, self-righting and davit-launched self-righting

Instruction of maintenance Liferafts for training purposes

Information to owners of a VIKING Life-Saving Equipment training liferaft

This document provides information that ensures your VIKING training liferaft a long lifetime and many years of usage. Therefore, please read this guideline before use.

Training liferafts resembles VIKING standard liferafts in construction. The training liferaft has several improvements and enforcements to assure the continuous use of training trials.



Rubber fabric

Training liferafts are often used in pools with a concentration of chlorine. After use, it is advised to clean and rinse the liferaft with tap water.

If the training liferaft is used in salt water or in the sea, it is also advised to clean the liferaft thoroughly after use in order to remove the salt water and sand that the raft has been exposed to.

When the raft has been in water, be sure that it is completely dry before being packed and stored. Some

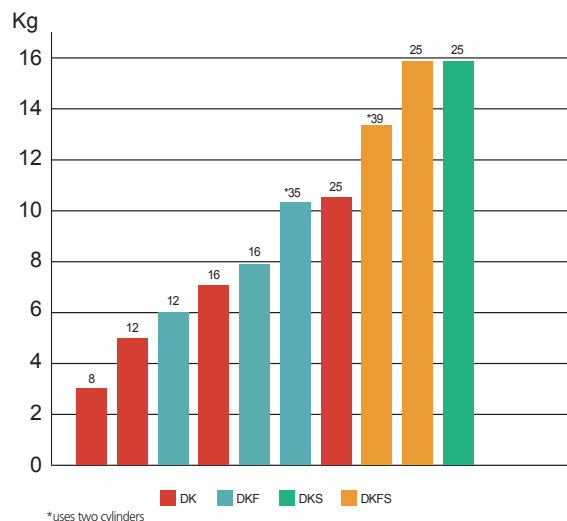
training schools store the training raft on their wall, with the raft inflated, which ensures that the rafts are able to become fully dry.

Avoid oil contamination as this will shorten the service life of the training liferaft. Pay attention to oil if the liferaft is used in open water. Viking recommend that Training Liferafts are used in saltwater or chlorinated water. It is NOT recommended to use metal based additives and mineral-ions stabilators.

Cylinder and filling

To ensure long life of the training liferaft, use compressed air. The liferaft has a longer lifetime if the filter of the compressor is clean.

- The cylinder and hoses should always be detached at the cylinder release head
- Do not detach the CO₂ hoses at the tubes
- Do not detach the cylinder before the liferaft is dry. This is to ensure that water will not enter the tubes





Training liferafts

Throw overboard, davit-launched, self-righting and davit-launched self-righting

Patches

The liferaft should be lifted in the lifting patches, which are designed for the purpose.

The lifelines are designed for the trainees to hold on to and it is therefore not advisable to lift the raft out of the water by these lines.

Use

- Do not carry sharp items with you into the training liferaft.
- Be careful not to drag the liferaft through rough surfaces or on the roofing.

General comments

Keep track of your training liferaft:

Keep a record of how many gas inflations, air inflations, and how many times the raft has been used.

This will ensure a better service life and will make it easier for VIKING to investigate the problem, and thereby solve it.



Storage

The preferred storage of a VIKING training liferaft is in a dry, dustless room, with temperatures from $10^{\circ}\text{C} \pm 15^{\circ}\text{C}$.

The storage location should be chosen in such a manner that the liferaft will not be exposed to exhaust gas, heat or light source close by.

The liferaft should be stored where it is not exposed to sunlight or artificial light with strong UV.

Repair

Following the above recommendations will ensure long service life of your training liferaft, but with the continuity of wear and tear it may be necessary to repair.

Spare parts, cords and a new canopy can be acquired.

Please contact your local VIKING service station to secure long lifetime of your VIKING training liferaft.

- If the raft is leaking from the material, a patch needs to be applied on the hole.
- Repair is more often needed if the raft is dragged through hard surfaces.
- Repair kits with glue and patches can be acquired from a VIKING service station.
- Repair should be done with approved repair kit from a VIKING service station.

VIKING LIFE-SAVING EQUIPMENT
- Protecting people and business



Training liferafts

Throw overboard, davit-launched, self-righting and davit-launched self-righting

Packing of training liferafts

Remove emergency pack from liferaft



Deflate liferaft. This can be done by suction or by adding deflators to topping up valves.

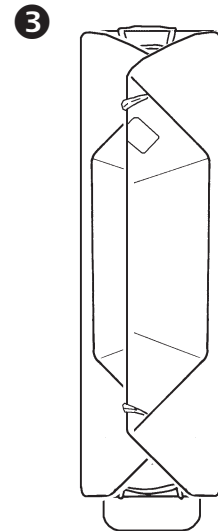
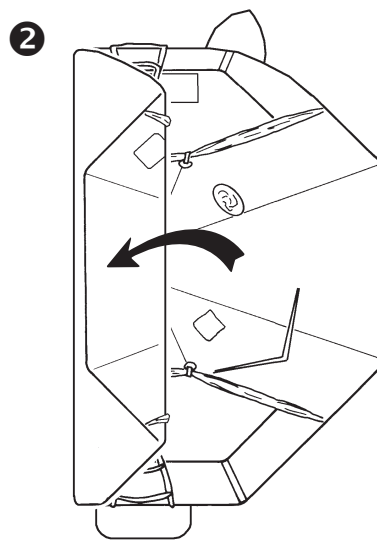
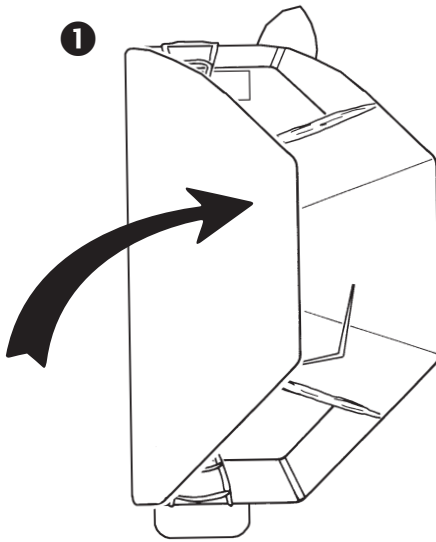
Deflation valve – part number: 1032880





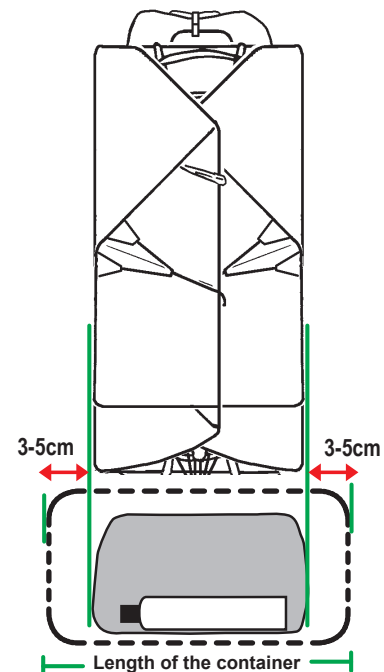
Training liferafts

Throw overboard, davit-launched, self-righting and davit-launched self-righting



- 1 Fold one side crossing the centre of the liferaft
- 2 Fold back as illustrated
- 3 Fold the opposite side of liferaft in the same way as shown above
- 4 Roll liferaft up tightly
- 5 Tie two ropes around liferaft

Pack liferaft allowing 3-5 cm free space in each side of the container.





Training liferafts

Throw overboard, davit-launched, self-righting and davit-launched self-righting

- ⑥ Lift liferaft inside bottom container part
- ⑦ Close the container.
Mount ropes around container.
Store container with emergency pack next to it.





Training liferafts

Throw overboard, davit-launched, self-righting and davit-launched self-righting



Contact VIKING for further information

VIKING LIFE-SAVING EQUIPMENT A/S
Saedding Ringvej 13, 6710 Esbjerg V, Denmark
Tel. +45 76 11 81 00
E-mail: VIKING@VIKING-life.com

09.2018 - Printed in Denmark

VIKING LIFE-SAVING EQUIPMENT
- Protecting people and business

WHEN IT COMES TO
safety
THINK VIKING