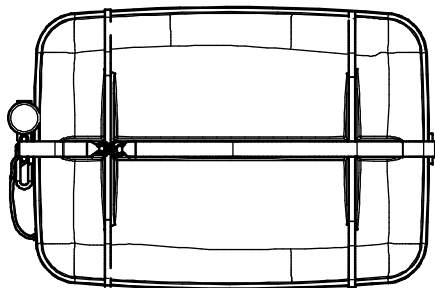
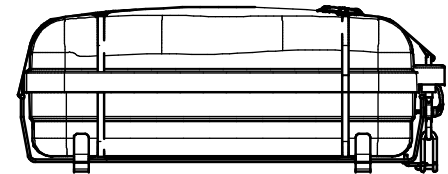
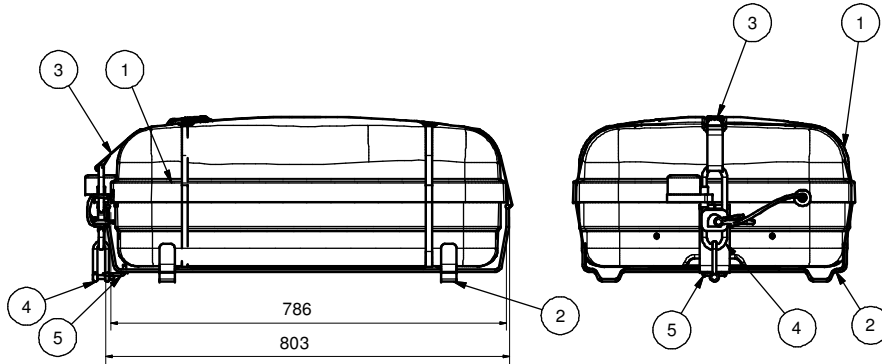
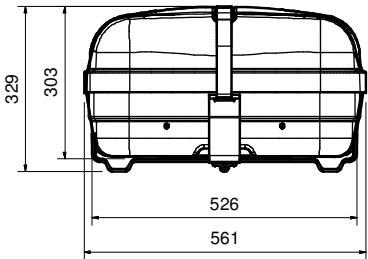
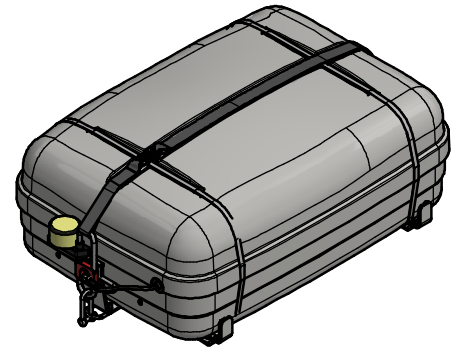



Cradle mounting dimensions




Parts List						
POS	QTY	DESCRIPTION	Mat. No.	Drw. No.	MATERIAL	T. MASS
1	1	Cont. 016-3901 Complete	1021624	ENG-20156735		3.5 kg
2	1	Cradle for 390X	1031480	ENG-20145147		3.7 kg
3	1	3901 160H with HRU Lashing			Generic	0 kg
4	1	HRU Set Assembly				0.4 kg
5	1	HRU FITTINGS FOR YACHTING	1035485	ENG-20134664		0 kg

REPLACES: 16001739

		VIKING Life-Saving Equipment A/S Sandling Ringvej 13 Tel: +45 7611 8100 DK-6710 Esbjerg V Fax: +45 7611 8101 Denmark	
Drawn by	Check by	Appr. by	Initial release date
PAPAV	PBP	PSOM	16-02-2023

Project number	Project name	Client number

Title	Material Number
Cont. 016-3901 160H With HRU	1021624
8 UKL and 4-8 UKSL	Weight 7.6 kg
Sales Spec. For Yachting	Projection method
	

Drawing type	Tolerances	Scale	Sheet Size
ASM	ISO 2768-mK, ISO 13920-BF	1:10	A3
Drawing Number	Revision	Sheet No.	Sheet No.
ENG-20156755	0	1/1	1/1