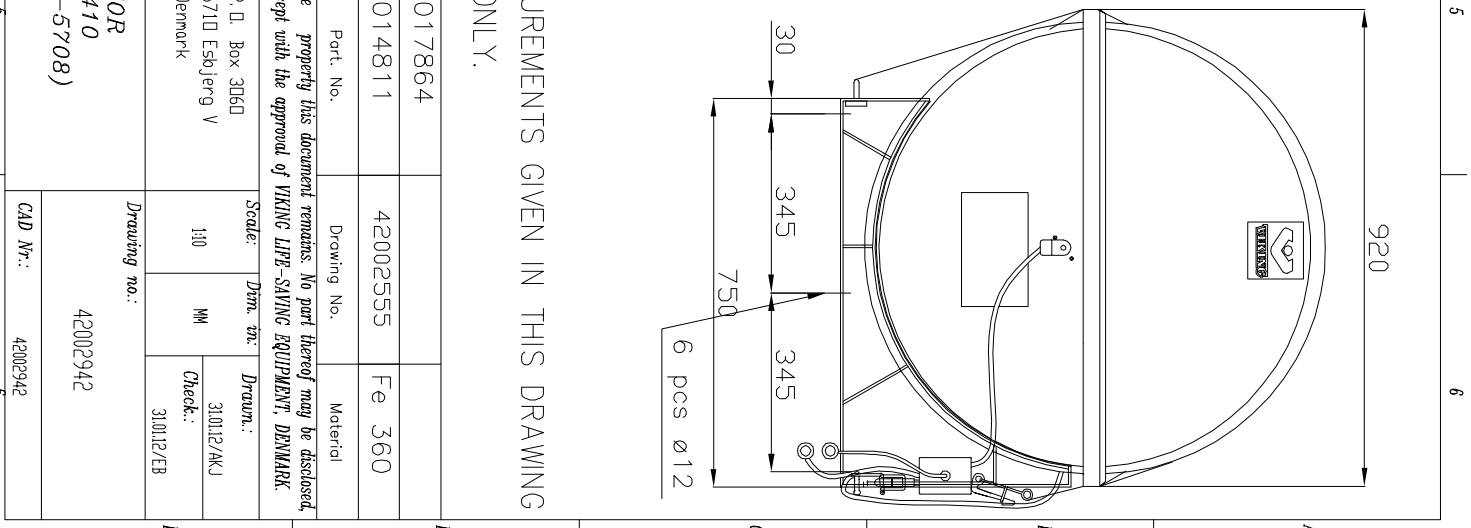
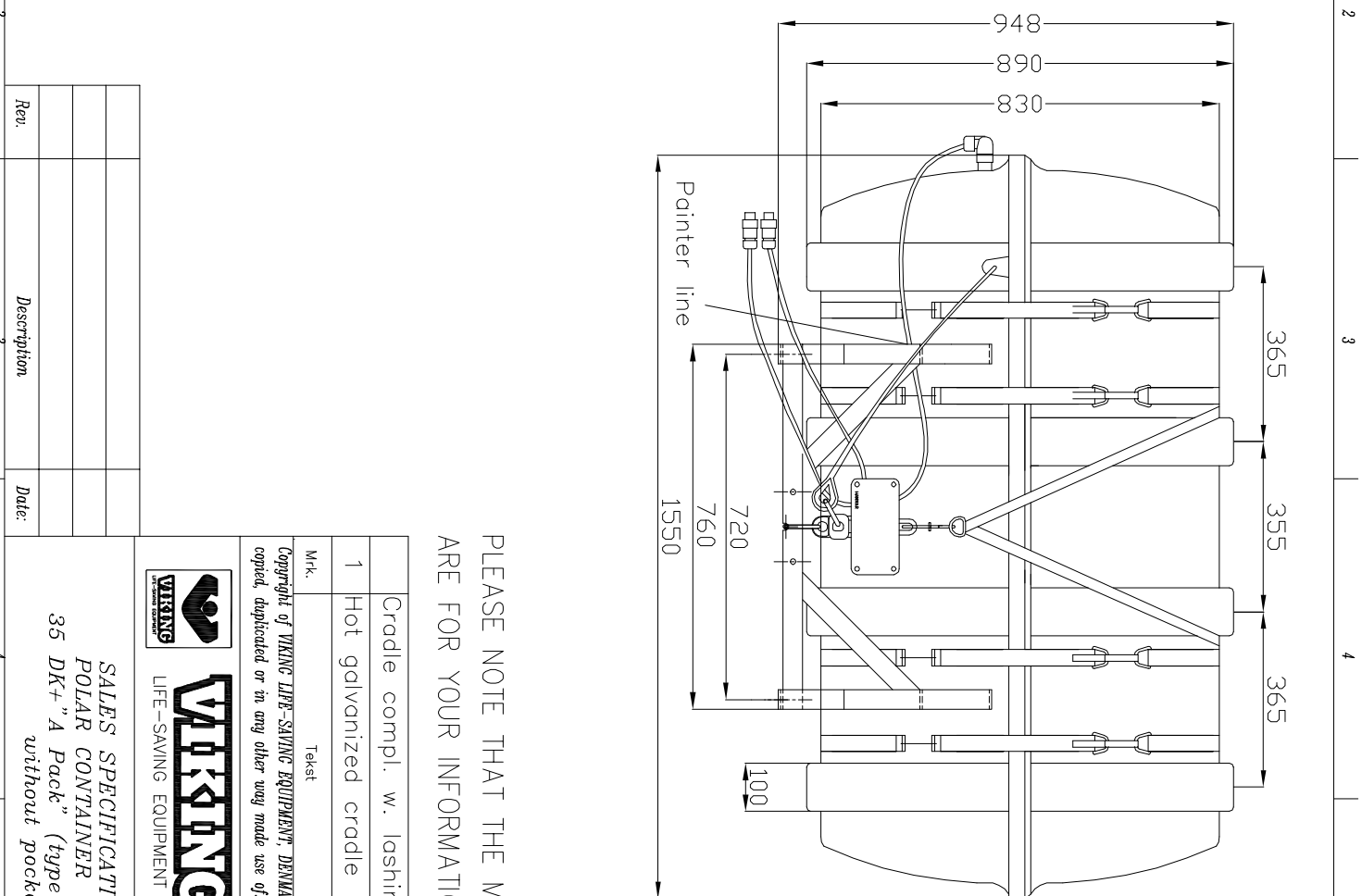
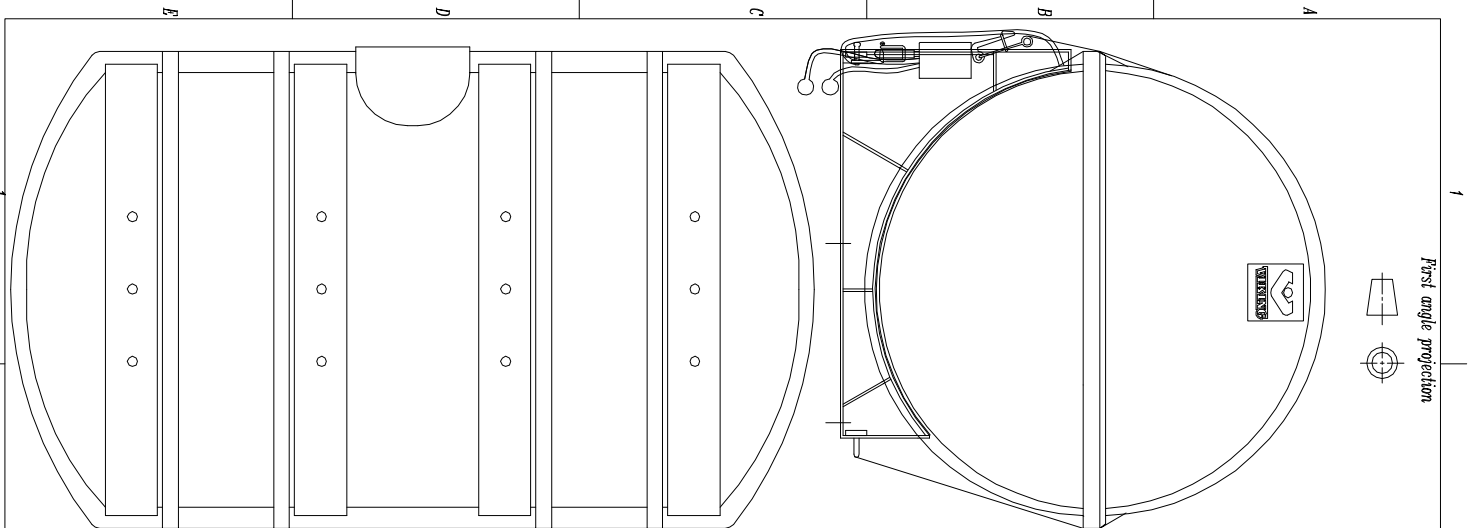


First angle projection



PLEASE NOTE THAT THE MEASUREMENTS GIVEN IN THIS DRAWING ARE FOR YOUR INFORMATION ONLY.

Mrk.	1	Hot galvanized cradle	1017864	1014811	42002555	Fe 360
Text						

Copyright of VIKING LIFE-SAVING EQUIPMENT, DENMARK whose property this document remains. No part thereof may be disclosed, copied, duplicated or in any other way made use of except with the approval of VIKING LIFE-SAVING EQUIPMENT, DENMARK.

VIKING LIFE-**SAVING** EQUIPMENT

P. O. Box 3050
6710 Esbjerg V
Denmark

Scale: 1:10
Drm. nr.: MM
Drawn: 31.01.12/AJ
Check: 31.01.12/EB

SALES SPECIFICATION FOR POLAR CONTAINER 1042410 35 DK+ "A Pack" (type 016-5708) without pocket	Drawing no.: 42002942	CAD Nr.: 42002942
Rev.	Description	Date