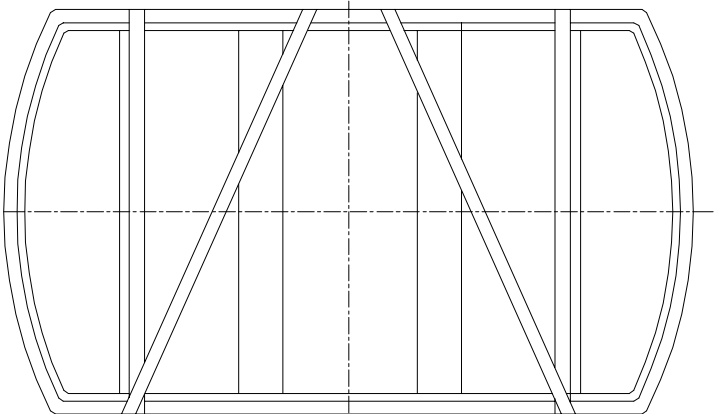
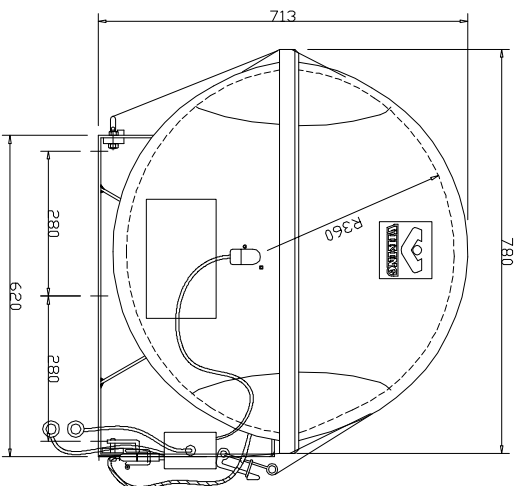
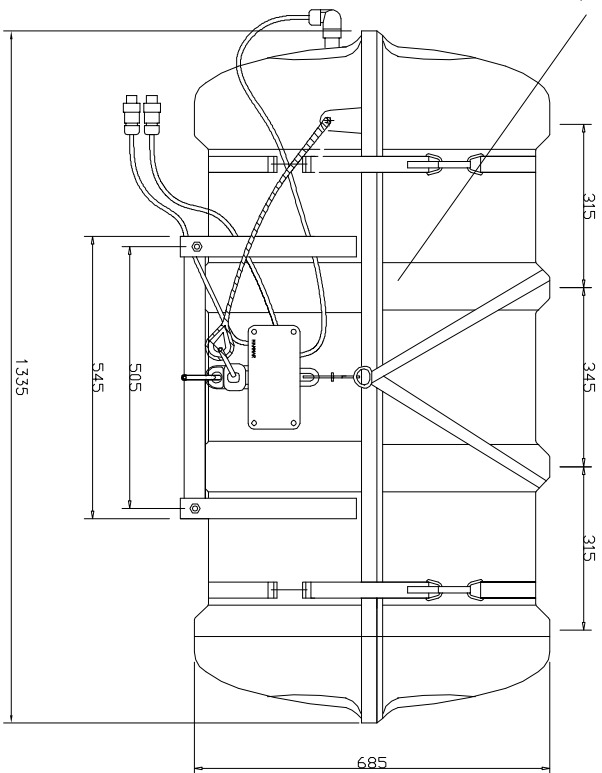
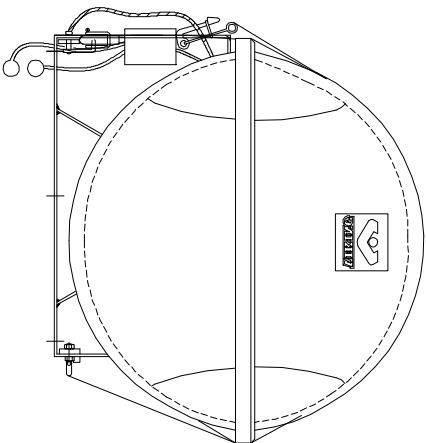


First angle projection



With HAMMER -
release unit.



PLEASE NOTE THAT THE MEASUREMENTS GIVEN IN THIS DRAWING
ARE FOR YOUR INFORMATION ONLY.

1 Hot galvanized cradle 1014758 42000851 Fe 360

Copyright of VIKING LIFE-SAVING EQUIPMENT, DENMARK, whose property this document remains. No part thereof may be disclosed, copied, duplicated or in any other way made use of, except with the approval of VIKING LIFE-SAVING EQUIPMENT, DENMARK.



VIKING
LIFE-SAVING EQUIPMENT

P. O. Box 3060
6710 Esbjerg V
Denmark

Scale: 1:100

1:100 mm

Drawn: 111111 DW
Check:

Drawing no.:

42002938

SALES SPECIFICATION FOR
POLAR CONTAINER 10500066
(type 016-6004)
without pocket

Issue/
ref. no.

Date:

Check:

CAD Nr.:

42002938