

1

2

3

4

5

6

A

B

C

D

E

F

G

H

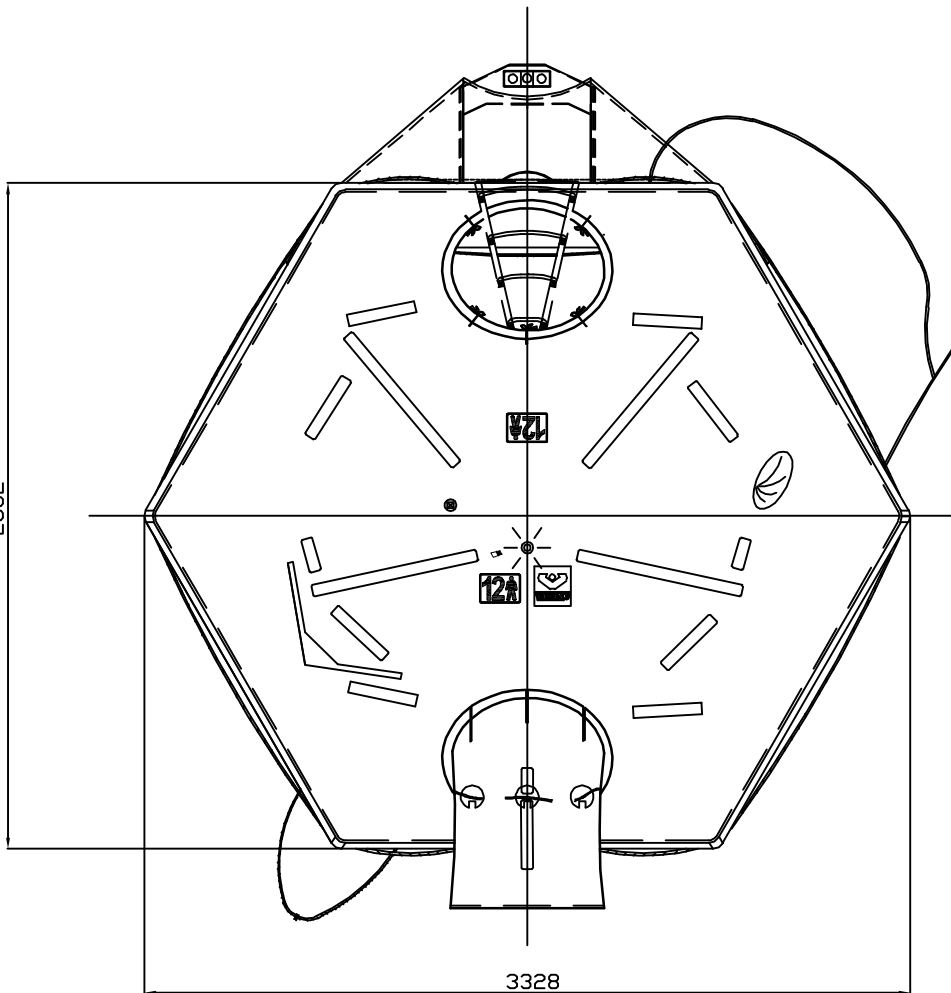
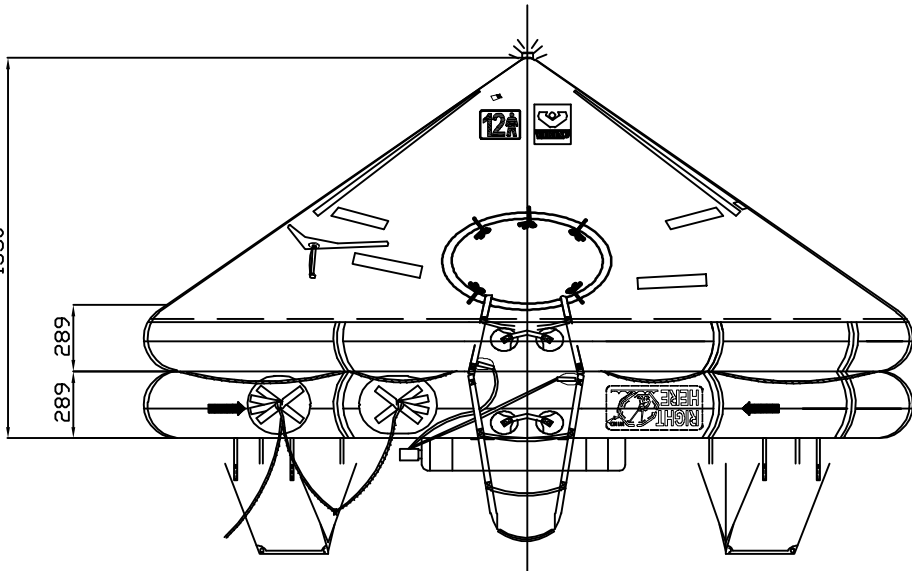
1550

289

289

2882

3328



Description of change

POS:	Qty:	Description:	Material No:
<p><small>If the product is requested to be manufactured differently, this MUST be approved by VIKING LIFE-SAVING EQUIPMENT A/S and a specification of change must be filled in if the alteration is approved. Unless otherwise specified the product must always be clearly marked with VIKING part no., manufacturer ID and manufacturing year.</small></p>			
REVISION NO:	REVISION DESCRIPTION:	REVISION DATED:	APPROVAL INITIALS:
00			
EXTERNAL NO:	STATUS:	UNITS (m/m):	CHECK DATE/INITIALS:
BASIC MATERIAL:	SURFACE TREATMENT:	SHEET SIZE:	SCALE:
		A3	1:16
		DRAWING NO.:	DATE/INITIALS:
		42005777.000.00	08.05.2020/CLO
<p>VIKING LIFE-SAVING EQUIPMENT A/S Building Ringvej 13, DK-6710 Esbjerg V Tel.: +45 7811 8100 Fax.: +45 7811 8101 E-mail: viking@viking-raft.com Web: www.viking-raft.com</p>		<p>PROJECTION TYPE: FIRST ANGLE PROJECTION GENERAL TOLERANCE: -</p>	<p>DESCRIPTION: VIKING LIFE RAFT TYPE 12 DK+ ICELANDIC</p>
<p><small>Copyright of VIKING LIFE-SAVING EQUIPMENT A/S. All rights reserved. No part thereof may be changed, copied, duplicated or in any other way made use of except with the approval of VIKING LIFE-SAVING EQUIPMENT A/S.</small></p>			<p>DRAWING NO.: 42005777.000.00</p>

1

2

3

4

5

6