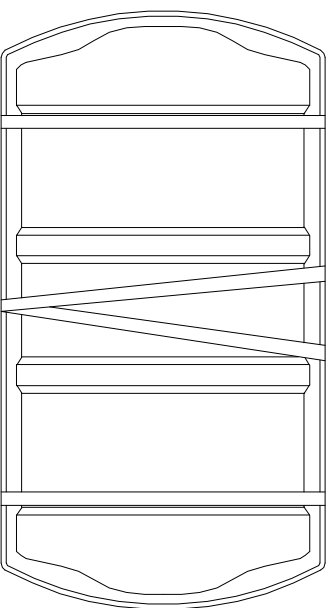
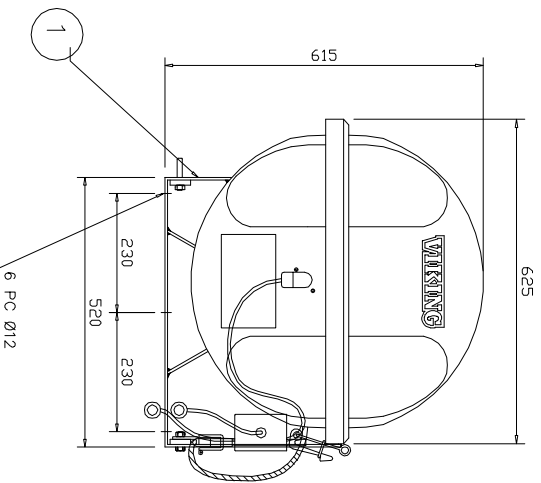
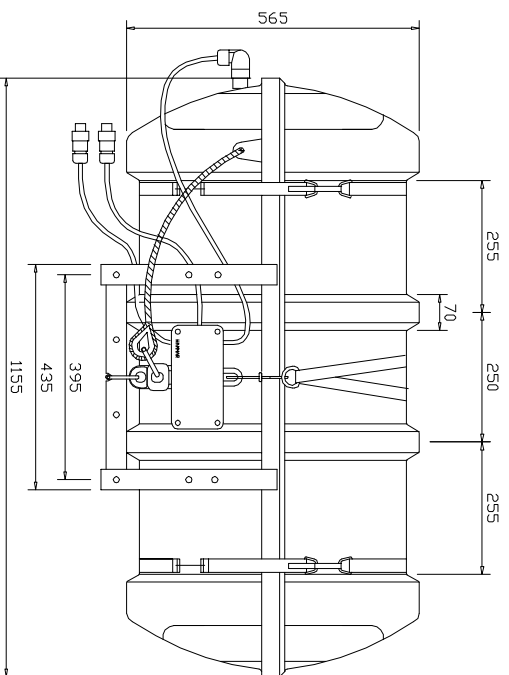


First angle projection



PLEASE NOTE THAT THE MEASUREMENTS GIVEN IN THIS DRAWING ARE FOR YOUR INFORMATION ONLY.

1	Aluminium cradle	1002721	42002384	AlMgSi0,5
1	Stainless Steel cradle	1002924	42002338	AISI316
1	Hot galvanized cradle	1015846	42000851	S 235 JR

Copyright of VIKING LIFE-SAVING EQUIPMENT, DENMARK, whose property this document remains. No part thereof may be disclosed, copied, duplicated or in any other way made use of, except with the approval of VIKING LIFE-SAVING EQUIPMENT, DENMARK.



**VIKING**  
LIFE-SAVING EQUIPMENT

P.O. Box 3060  
6710 Esbjerg V  
Denmark

Scale: 1:10  
Dym. unit: mm  
Drawn: 22/09/11 JUV  
Check:

SALES SPECIFICATION FOR  
POLAR CONTAINER 1042398  
(type 016-5002)  
Without pocket

Drawing no.:

42002757

CAD Nr.: 42002757

Issue/ ref. no	Date:	Check: