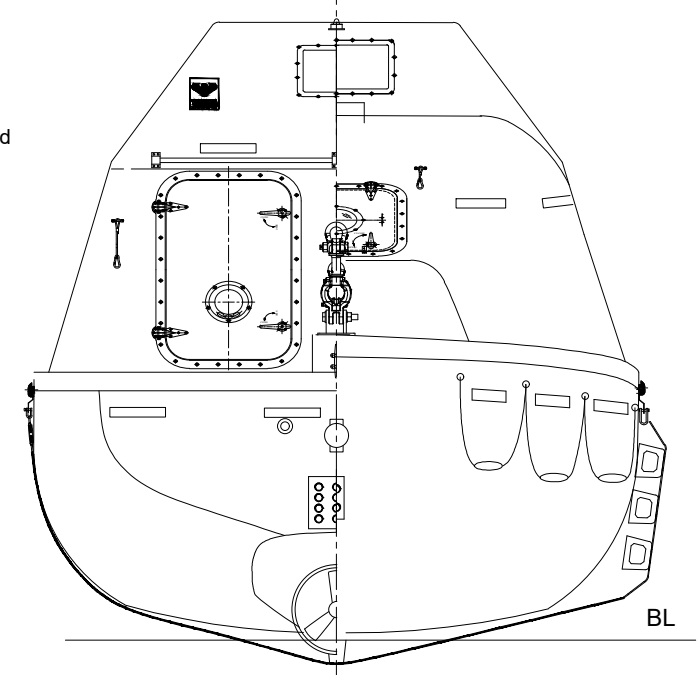
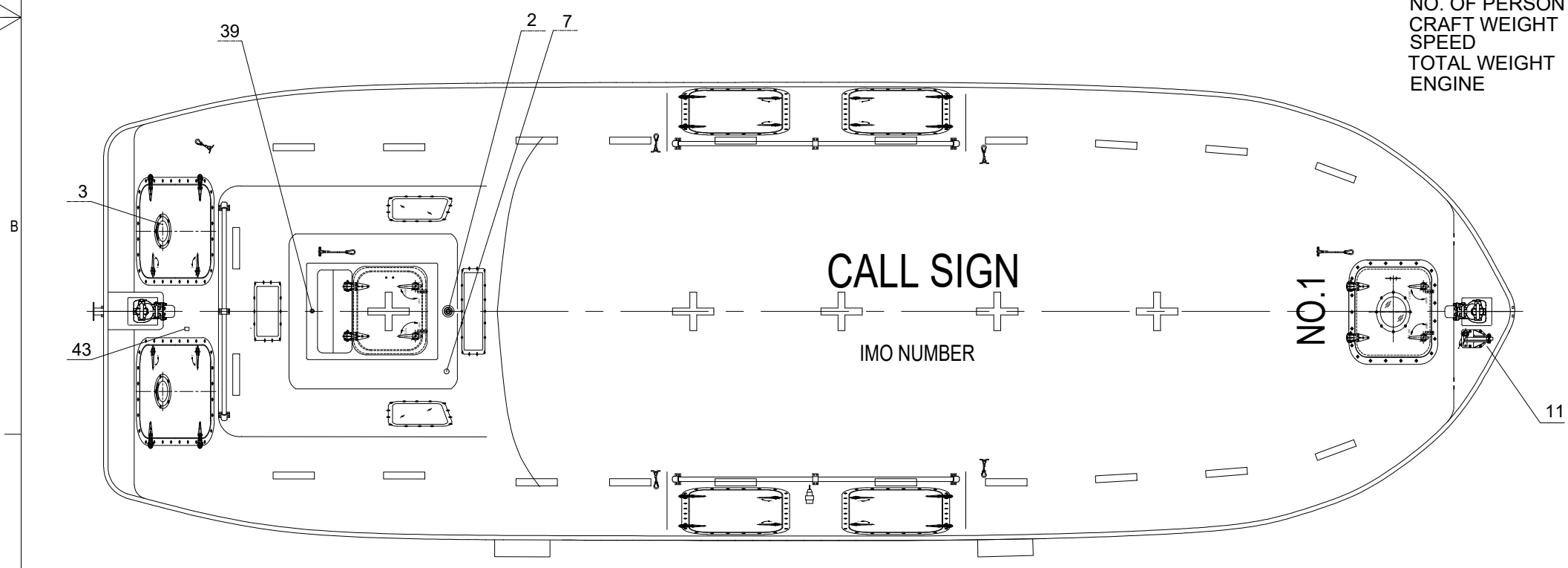


ELEVATION



REAR/FRONT VIEW

LENGTH (MOULDED) 10.155M
 BREADTH (MOULDED) 3.25M
 DEPTH 1.40M
 TOTAL HEIGHT 3.40M
 HOOK TYPE DIB 75
 HOOK DIST. 9.675M
 NO. OF PERSON 106P
 CRAFT WEIGHT 5855KG
 SPEED >6 KNOTS
 TOTAL WEIGHT 14600KG (82.5Kg/pers)
 ENGINE 380J-3
 N485J-4
 VETUS M4.55
 BUKH DV29 RME
 BUKH 36 EPA



PLAN

NO.	REF. DWG. NO.	DESCRIPTION	QTY.	REMARKS
48		HYDRAULIC PUMP OR TANK	1	
47		ACCUMULATOR	1	
46		PILOT CONTROLLED VALVE	1	
45		CONTROL PANEL	1	
44		SOCKET FOR BATTERY CHARGING	1	IP67
43		VENT FOR BATTERIES	1	SS 316 & PVC HOSE
42		EQUIPMENT SHELF	2	F.R.P.
41		WATER SENSOR UNIT	1	
40		EMERGENCY RELEASE VALVE	1	
39		RAIN COLLECTION	1	BRASS
38		EMERGENCY STEERING HANDLE	1	HOT DIPPED GALVANIZED STEEL
37		SKATES	2	RUBBER & ALUM. PLATE
36		RAIL	3	SS316
35		FOOD COMPARTMENT	2	F.R.P.
34		GEAR/CRUTCH	2	F.R.P. WATER TIGHT
33		WATER COMPARTMENT	2	F.R.P. WATER TIGHT
32		STEERING GEAR	1	
31		ENGINE & PROPELLER SHAFT	1	
30		STEERING NOZZLE & PROPELLER	1	F.R.P. / Ni-Mn-Brnzse Cu3-Cu4
29		BATTERIES	2	70AH
28		AXE	2	
27		PILLAR	1	F.R.P.
26		DRAIN PLUG	1	BRASS
25		MANUAL PUMP	1	
24		FIRE EXTINGUISHER	1	SEA WATER RESISTANT ALUM.
23		FUEL TANK	4	
22		SAFETY BELT	1/PERS	
21		EQUIPMENT COMPARTMENT	1 LOT	AISI 316L & PVC SHIELD WIRE ROPE
20		LOCK LATCH	1	PLYWOOD (18MM THK x400MM H.)
19		BACK REST	1	
18		CONTROL PANEL	1	
17		SEARCH LIGHT	1	
16		INT. LIGHT	2	
15		HELMS CHAIR	1	F.R.P.
14		4.6T PAINTER HOOK	1	HOT DIPPED GALVANIZED STEEL
13		GRIPPING BOBBIN	2	HOT DIPPED GALVANIZED STEEL
12		HOOKS DEVICE ARRANGEMENT	2	DIB 75
11		LIFE LINE	2	PVC SHIELD WIRE ROPE
10		REMOTE CONTROL LINE HOLE	1	
9		DOOR, WINDOW & HATCH	1 LOT	
8		BOLLARD	1	AISI 316L
7		REFLECT LIGHT STRIP	1 LOT	
6		VENTILATOR	4	
5		POSITION LIGHT	1	
4		RADAR REFLECTOR	1	

REV	DESCRIPTION	BY	CHECK	APPRO	DATE
1	Use new template	KARL	PHLI	THWA	02/07/2019

REVISION HISTORY

VIKING NORSAFE
 VIKING Norsafe Life-Saving Equipment Norway AS
 P.O. Box 115 Tel: +47 37 05 85 00
 4852 Færvik Fax: +47 37 05 85 01
 NORWAY 24/7 Service: +47 37 05 63 33
 Email: Viking-Norsafe@viking-life.com

Drawn by: KARL
 Check by: PHLI
 Appr. by: THWA
 Initial release date: 23.04.2019

Project number Standard	Project name	Client number	Material Number
Title EXTERNAL ARRANGEMENT			Weight
DIB 75			Projection method
JYN-100DC			
Drawing type GA	Tolerances ISO 2768-mK, ISO 13920-BF	Scale 1:30	Sheet Size A3
Drawing Number G-503174	Revision 1	Sheet No. 1/1	

Due to manufacturing reasons dimensions may vary up to 50mm
Port side shown, Starboard side is Mirrored