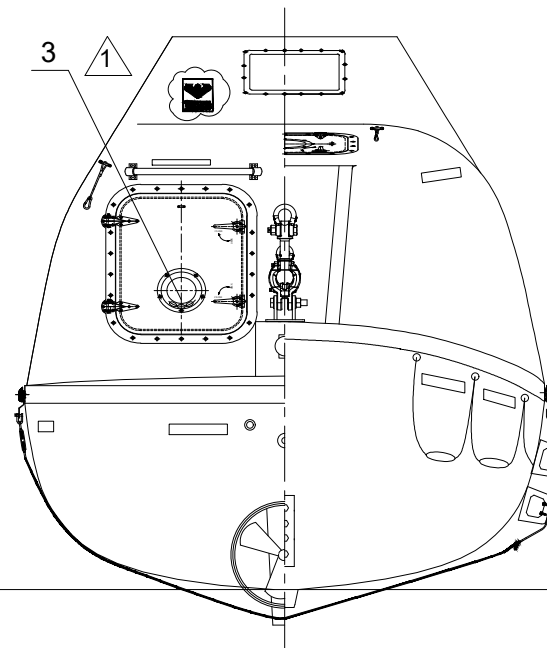
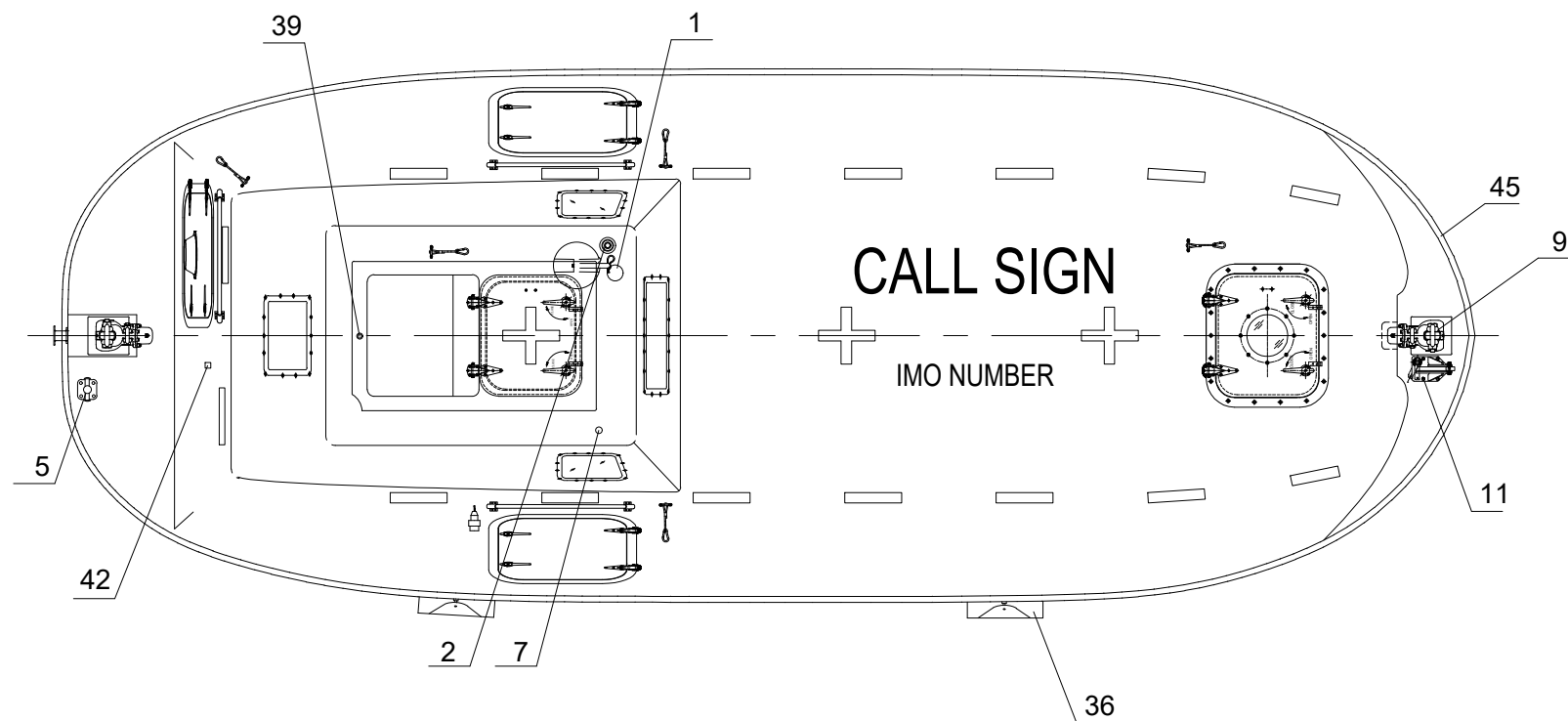


**ELEVATION**



**REAR/FRONT VIEW**



**PLAN (BOAT SHOWS PORT SIDE BOAT)**

**MAIN PARTICULARS**

LENGTH (MOULDED)	7.35M / 7.52M (Including fender)
BREADTH (MOULDED)	2.68M / 2.82M (Including fender)
DEPTH	1.05M
HEIGHT (TOTAL)	3.00M
HOOK DIST	7.00M
NO. OF PERSON	52P
CRAFT WEIGHT	3410KG
SPEED	>6 KNOTS
TOTAL WEIGHT	7700KG (82.5kg/pers)
ENGINE	380J-3
	BUKH DV 24 RME
	BUKH DV 29 RME

NO.	REF.DWG.NO.	DESCRIPTION	QTY.	REMARKS
48		HYDRAULIC PUMP OR TANK	1	
47		ACCUMULATOR	1	
46		PILOT CONTROLLED VALVE	1	
45		FENDER	4	RUBBER
44		OPERATION PANEL	1	
43		PLUG FOR BATTERY CHARGING	1	IP67
42		VENT FOR BATTERIES	1	SS 316 & PVC HOSE
41		WATER SENSOR UNIT	1	
40		EMERGENCY RELEASE VALVE	1	
39		RAIN COLLECTION	1	BRASS
38				
37		EMERGENCY STEERING HANDLE	1	HOT DIPPED GALVANIZED STEEL
36		SKATE	2	RUBBER & ALUM. PLATE
35		RAIL	3	ALSI 316
34		FOOD COMPARTMENT	1	
33		OAR/CRUTCH	2	
32		WATER COMPARTMENT	3	F.R.P. WATER TIGHT
31		STEERING GEAR	1	
30		ENGINE & PROPELLER SHAFT	1	
29		STEERING NOZZLE & PROPELLER	1	F.R.P./NiMn-Bronze Cu3-Cu4
28		BATTERIES	2	70AH
27		AXE	2	
26		PILLAR	1	F.R.P.
25				
24		DRAIN PLUG	1	BRASS
23		MANUAL PUMP	1	
22		FIRE EXTINGUISHER	1	
21		FUEL TANK	1	SEA WATER RESISTANT ALUM.
20				
19		SAFETY BELT	1/PERS	
18		EQUIPMENT COMPARTMENT	1	
17		DOOR LATCH	1 LOT	SS316 & PVC SHIELD WIRE ROPE
16		BACK REST	1 LOT	PLYWOOD (18MM THK.x400MM H.)
15		CONTROL PANEL	1	
14		SEARCH LIGHT	1	
13		INT. LIGHT	2	
12		HELMS CHAIR	1	F.R.P.
11		PAINTER HOOK	1	SS2377
10		GRIPING BOBBIN	2	HOT DIPPED GALVANIZED STEEL
9		HOOKS DEVICE ARRANGEMENT	2	DIB 75
8		LIFE LINE	2	PVC SHIELD WIRE ROPE
7		REMOTE CONTROL LINE HOLE	1	
6		DOOR	1 LOT	
5		BOLLARD	1	SS 316
4		REFLECT LIGHT STRIP	1 LOT	
3		VENTILATOR	1	
2		POSITION LIGHT	1	
1		RADAR REFLECTOR	1	

1	USE NEW TEMPLATE	KARL	PHLI	THWA	12.06.2019
REV	DESCRIPTION	BY	CHECK	APPRO	DATE

**REVISION HISTORY**

**VIKING NORSAFE**

VIKING Norsafe Life-Saving Equipment Norway AS  
 P.O Box 115 Tel: +47 37 05 85 00  
 4852 Færвик Fax: +47 37 05 85 01  
 NORWAY 24/7 Service: +47 37 05 63 33  
 Email: Viking-Norsafe@viking-life.com

Project number	Project name	Client number
Standard		

Title		Material Number	
<b>EXTERNAL ARRANGEMENT</b>			
DIB 75		Weight	
JYN-74DC		Projection method	
Drawing type	Tolerances	Scale	Sheet Size
GA	ISO 2768-mK, ISO 13920-BF	1:30	A3
Drawing Number	Revision	Sheet No.	
G-502651	1	1/1	

Due to manufacturing reasons dimensions may vary up to 50mm