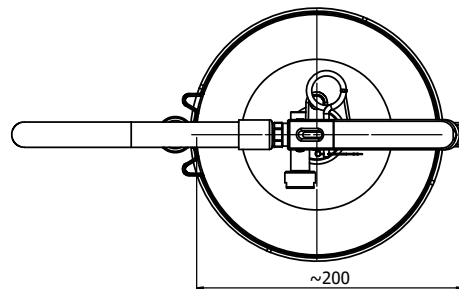
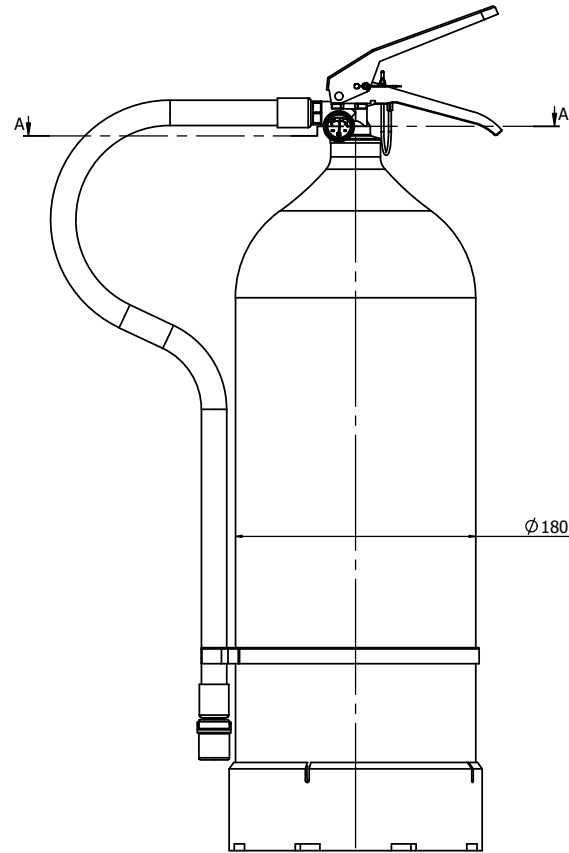
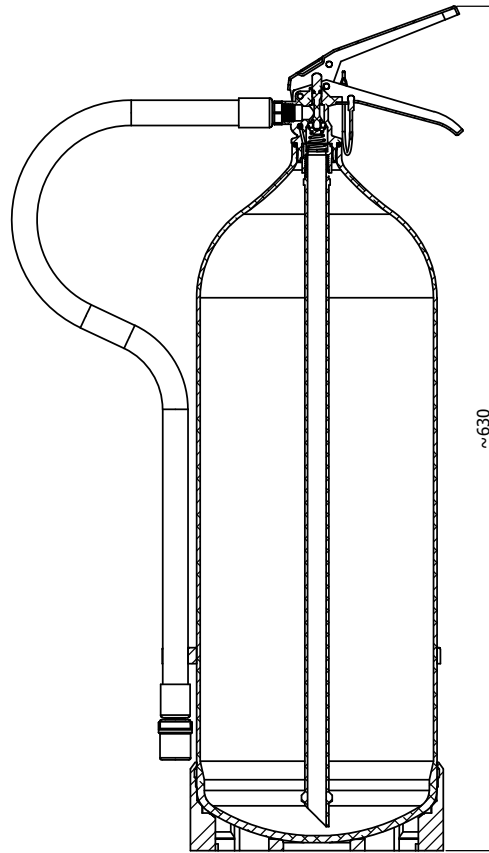


Note: label according to customer requirements: code 08.886F.F000.00 is for unlabeled extinguisher.
 Nota: etichetta secondo richiesta del cliente: il codice 08.886F.F000.00 vale per l'estintore neutro.
 Nota: étiquette suivant demande du client: le code 08.886F.F000.00 est valable pour l'extincteur neutre.



Section: A-A

WS9-LH - 9LT WATER SP



an ANAFGROUP company

		ANAFGROUP							
A		ESSE	FL	DR	YA	=	12,18 kg	WS9-LH	
B		EMMISSIONE	FL	DR	YA	=	1:2	Estintore assemblé	
C		EMMISSIONE	FL	DR	YA	=	1:2	Assemble extintore	
D		FCM Alignment	FL	DR	YA	=		Assemble extintore	
E		Alignment FCM	FL	DR	YA	=		Assemble extintore	
A1								08.886F.F000.00 B	