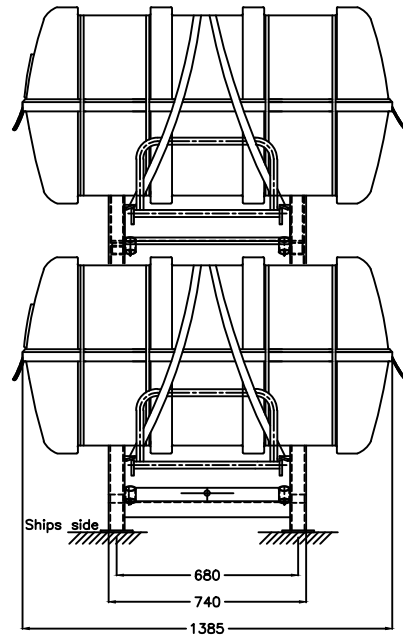
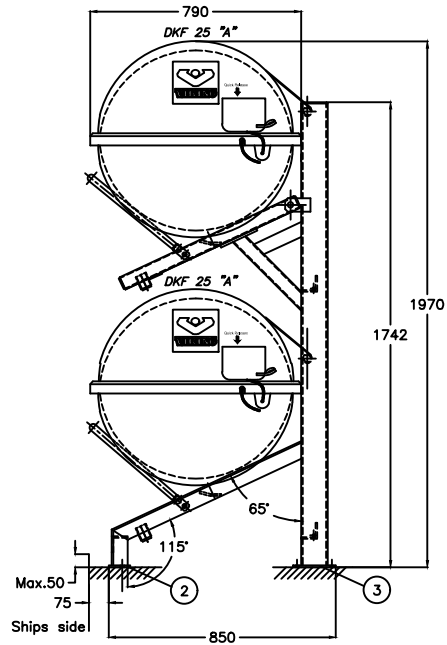
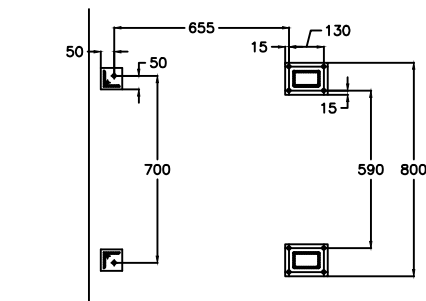
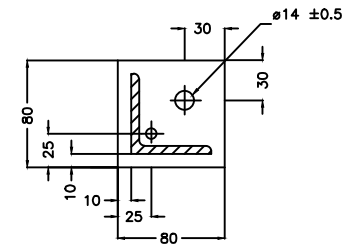


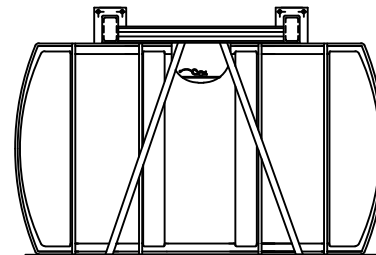
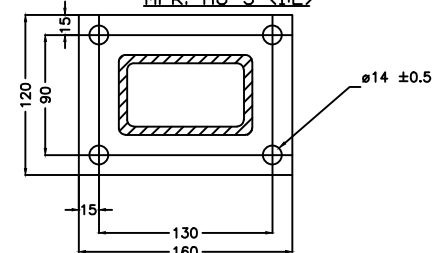
First angle projection



Mrk. no 2 (1:2)



Mrk. no 3 (1:2)



VIKING
 Etabl. 1948/82 ENG
 TECHNICAL DEPARTMENT
 Design office

016-6100	DK 12 A	1015784	1057489
016-0114	DKF 12 A	1015780	1057490
016-5200	DK 25 A	1015784	1057489
016-6000	DK 25 B	1015784	1057489
016-8601	DKS 25 A+B	1015784	1057489
016-8500	DKFS 25	1015780	1057490
016-8100	DKF 25	1015780	1057490
016-8000	DKF 16-20	1015780	1057490
016-6000	DK 20 A	1015784	1057489
016-5200	DKR 50	1015784	1057489
016-5100	DK 16	1015784	1057489
Container Part no.:	Description:	Lashing:	Compl. Galvanize Rack with lashing :

In case VIKING does not manufacture the cradle, VIKING will not be held responsible for construction, dimensioning and choice of material for the rack.

Weight: app.113 kg

Issue/Rev. no.	Date:	Check:

2	Lashing arrangement	1	DK/ DKF/ DKS/ DKR	See table
1	Rack 0526051 G	1	1014785	834-015-2
Mrk.	Object	Num.	Part no.	Draw no.
Copyright of VIKING LIFE-SAVING EQUIPMENT, DENMARK, whose property this document remains. Its part thereof may be disclosed, copied, duplicated or in any other way made use of. Allowed with the agreement of VIKING LIFE-SAVING EQUIPMENT, DENMARK.				
		P.O. Box 3360 6710 Esbjerg V Denmark		Scale: 1:10 Dim. in: mm Drawn: 11.03.16 PSOM Check: 14.03.16 DW
General Arrangement for Column Rack 2 pcs. Liferaft complete with Lashing				Drawing no.: 42004282 GND No.: 42004282