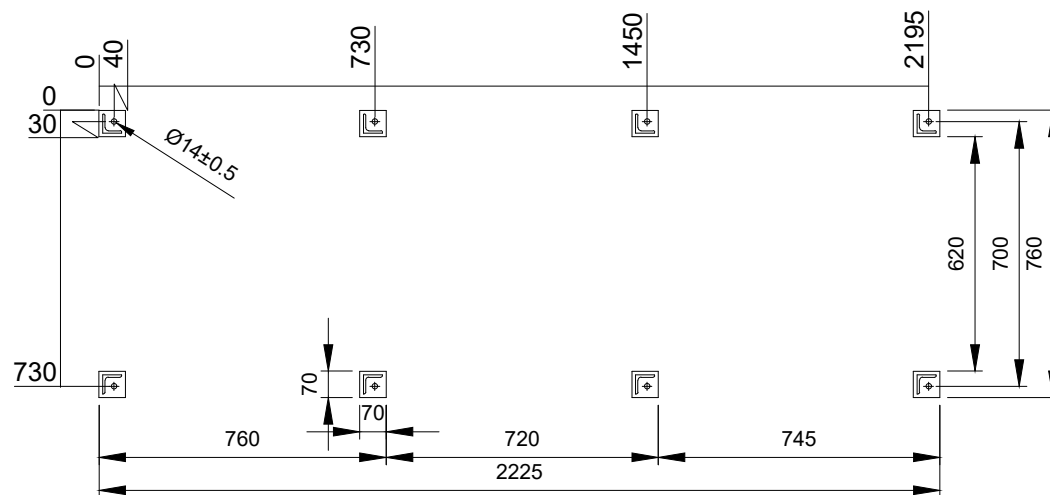
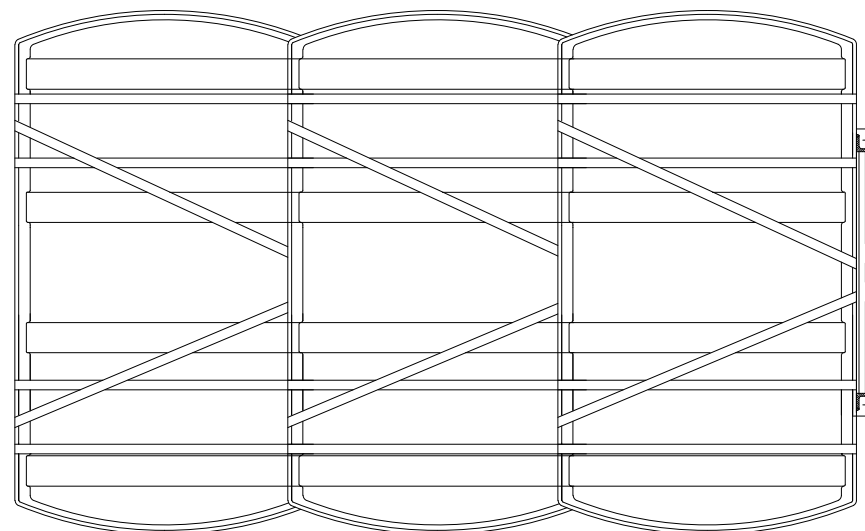


Holder for service pipe
Place service pipe in holder while life raft is being lashed.



016-8500	DKFS 25"B"	1034948	1057487
016-8000	DKF 20	1034948	1057487
016-8100	DKF 25	1034948	1057487
016-5200	DK 25 "A"	1014356	1057486
016-6000	DK 25 "B"	1014356	1057486
016-5100	DK 16	1014356	1057486
016-6100	DK 10-12	1014356	1057486
016-6000	DK 20	1014356	1057486
016-5200	DKR/IBA50	1014356	1057486
Container Part no.:	Description:	Lashing:	Compl. Galv. Ramp w. lashing

2	1	Lashing arrangement	See table
1	1	Ramp 0526125 G	1015837
POS	QTY	DESCRIPTION	MATERIAL NO.

PARTLIST

REPLACES: 42003748



VIKING Life-Saving Equipment A/S
Sædding Ringvej 13 Tel: +45 7611 8100
DK-6710 Esbjerg V Fax: +45 7611 8101
Denmark Email: viking@viking-life.com

Drawn by: NTAE, Check by: TCHR, Appr. by: CAJ, Initial release date: 10.02.2021

Project number: _____ Project name: _____ Client number: _____

Title		Material Number	
General arrangement for ramp for 3 pcs. life raft complete w. lashing		Various No.	
Drawing type		Weight	
ASM		Projection method	
Drawing Number		Scale	
ENG-20086167		1:20	
Tolerances		Sheet Size	
		A3	
Revision		Sheet No.	
0		1/1	

