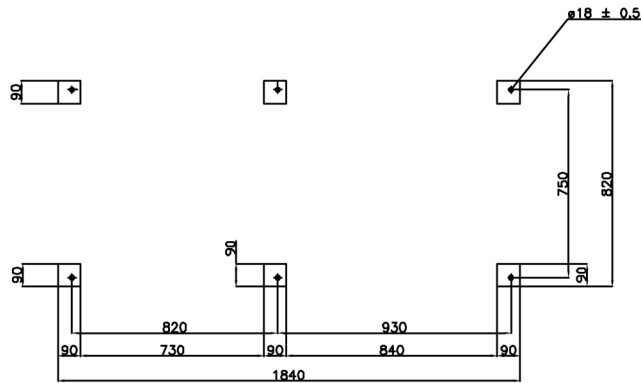
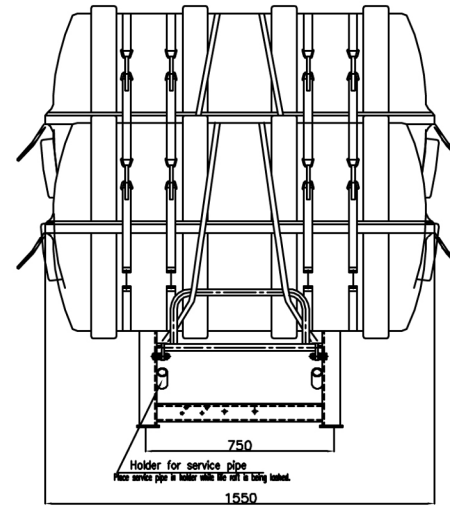
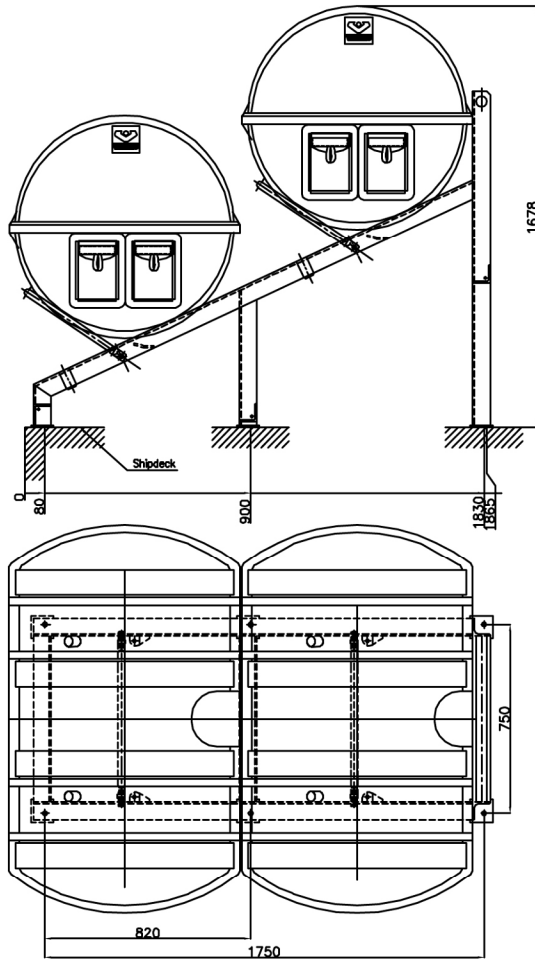


First angle projection



016-8200	DKF 35 B	1026580	1057485
016-8301	DKF 35 A	1026580	1057485
016-5702	DK 35 A	1014459	1057484
016-5701	DKR 100	1014459	1057484
016-5701	DKS 50	1014459	1057484
016-5700	DKR 2X50	1014459	1057484
016-0181	DKS 50	1014459	1057484
016-0139	DKS 50	1014459	1057484
Container Part no.:	Description:	Lashing:	Compl. Conv. Ramp w. lashing:

Weight : 90 kg

DATE	BY	CHECK

2	Lashing arrangement	1	DK/DKF/DKR	-
1	Rack 0526079 G	1	1014756	836-072-1
Rev.	Object	Planned	Part no.	Draw no.
Copyright of VIKING-1/S FROENSKO GEMISLINGSFABRIK, HVERAVNEK, unless properly this document remains. No part thereof may be distributed, copied, digitized or in any other way made use of, except with the approval of VIKING-1/S FROENSKO GEMISLINGSFABRIK				
		P. O. Box 3060 6710 Esbjerg V Denmark		SCALE: 1:1 DRAW. NO.: 1254 IV CHECK: 1254 IV
General arrangement for ramp 2 pcs. liferaft complete w. lashing				Drawing no.: 42003747 CAD No.: 42003747