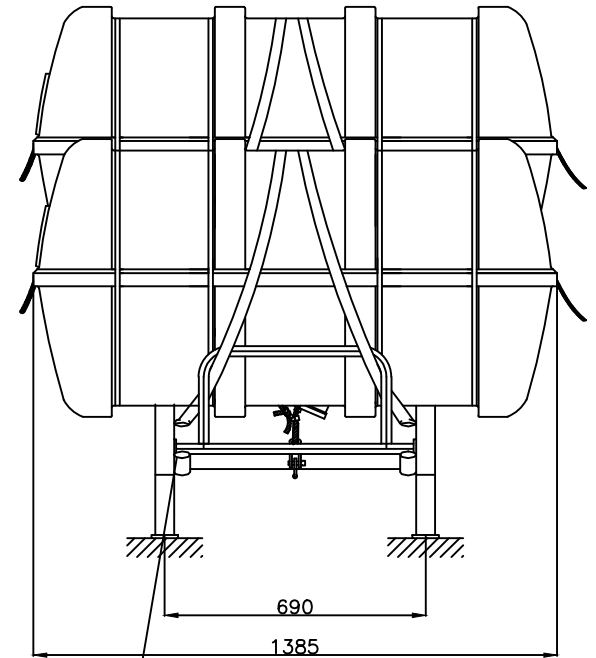
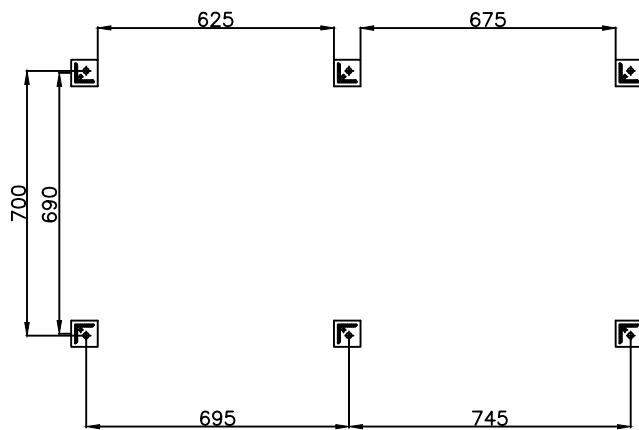
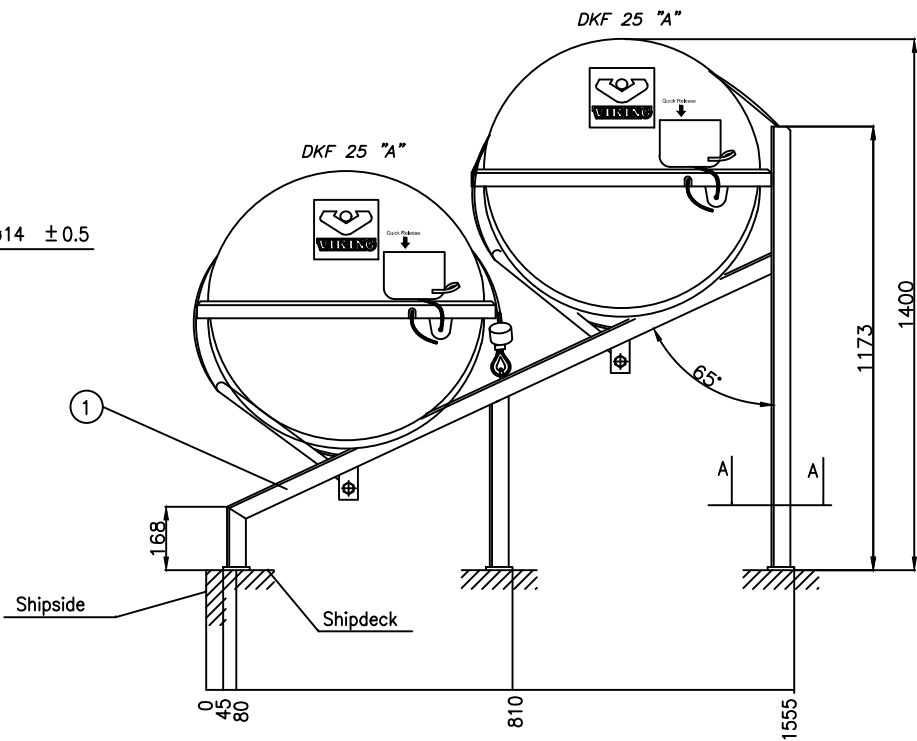
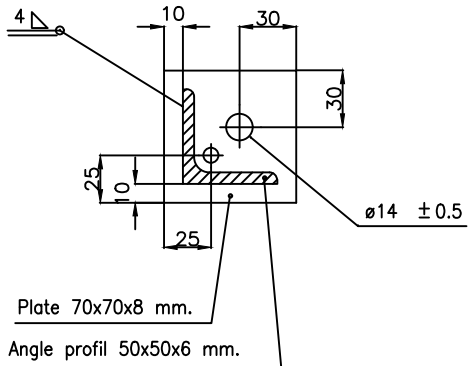


First angle projection



Section A-A (1:2)



Holder for service pipe

Serviceen placeres i holder, mens filderne surres.
Place service pipe in holder while container is being lashed.

016-8600	DKS 25	1015809	-
016-5100	DK 16	1004164	1057482
016-6100	DK 10-12	1004164	1057482
016-6000	DK 20-25	1004164	1057482
016-6000	DKR 20-25	1015809	-
016-5200	DK 25 "A"	1004164	1057482
016-5200	DKR 50	1015809	-
016-6000	DKF 20	1015780	1057483
016-8100	DKF 25	1015780	1057483
Container Part no.:	Description:	Lashing:	Compl. Galv. Rack w. lashing

Weight: 68 kg
New part no. 1057483

Measures are for guidance only

1	Lashing arrangement	1	DK/DF/DKR	See Table
1	Ramp 0526078G	1	1015772	836-053.x-1
Piece	Object	Mtk. no.	Mtk. no.	Draw. no.
Copyright of VIKING LIFE-SAVING EQUIPMENT, DENMARK, whose properly this document remains. No part thereof may be disclosed, copied, duplicated or in any other way made use of, except with the approval of VIKING LIFE-SAVING EQUIPMENT, DENMARK.				
		P. O. Box 3060 6710 Esbjerg V Denmark		Scale: 1:10 Dim. in: mm Drawn.: 11.03.16 PSOM Check.: 14.03.16 DW
General arrangement for ramp for 2 pcs. life raft complete w. lashing				Drawing no.: 42004281
Issue/ref. no.	Date:	Check:	CAD Nr.: 42004281	