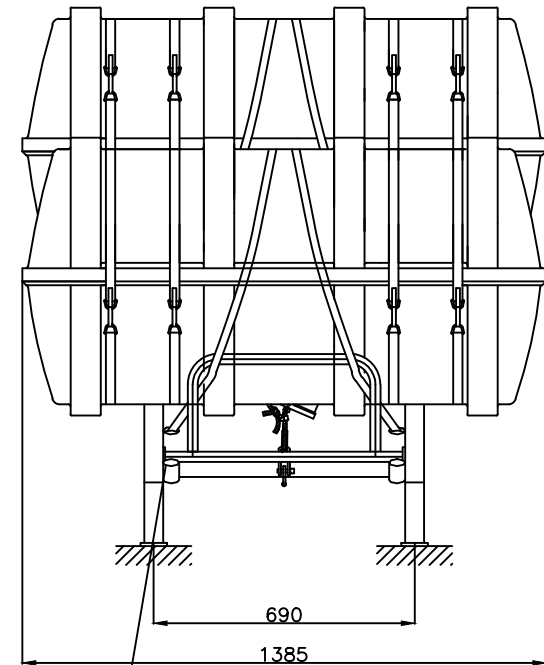
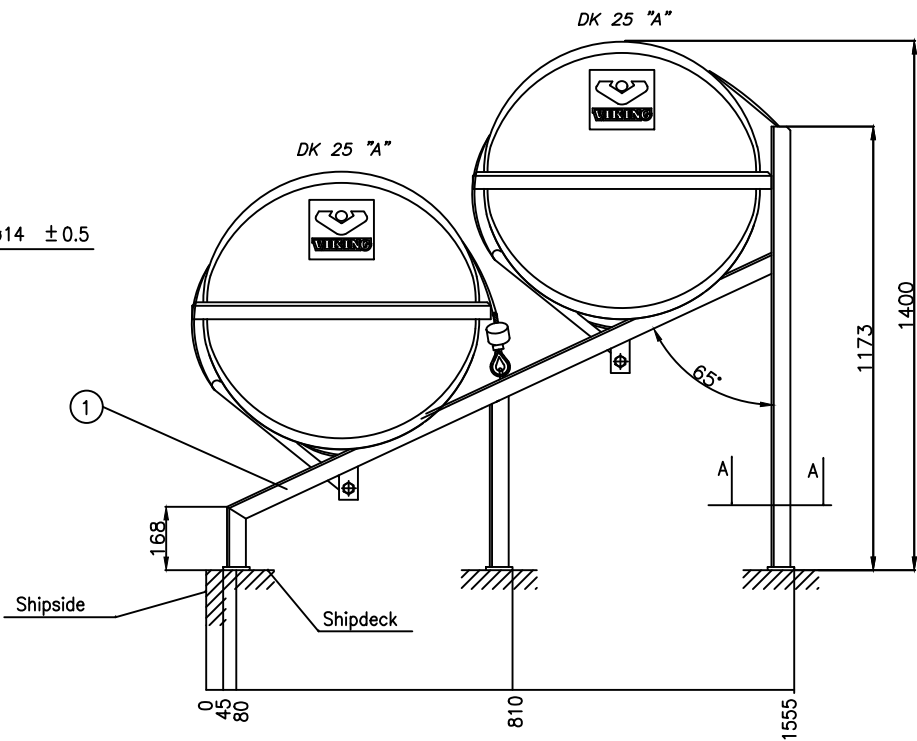
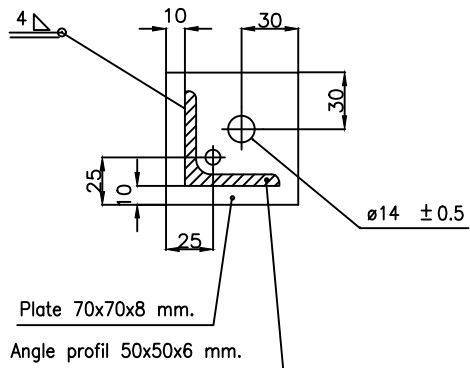


First angle projection

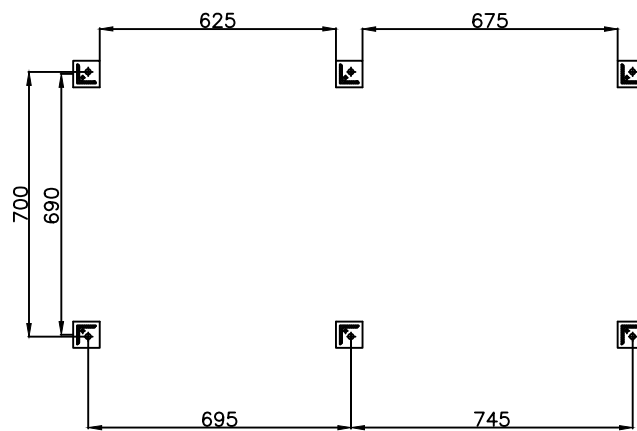


Section A-A (1:2)



Holder for service pipe

Servicear placeres i holder, mens filderne surres.
Place service pipe in holder while container is being lashed.



016-8600	DKS 25	1015809	-
016-5100	DK 16	1004164	1057482
016-6100	DK 10-12	1004164	1057482
016-6000	DK 20-25	1004164	1057482
016-6000	DKR 20-25	1015809	-
016-5200	DK 25 "A"	1004164	1057482
016-5200	DKR 50	1015809	-
016-6000	DKF 20	1015780	1057483
016-8100	DKF 25	1015780	1057483
Container Part no.:	Description:	Lashing:	Compl. Galv. Rack w. lashing

Measures are for guidance only

1	Lashing arrangement	1	DK/DKF/DKR	See Table
1	Ramp 0526078G	1	1015772	836-053.x-1
Piece	Object	Mk. no.	Mk. no.	Draw. no.

Copyright of VIKING LIFE-SAVING EQUIPMENT, DENMARK, whose properly this document remains. No part thereof may be disclosed, copied, duplicated or in any other way made use of, except with the approval of VIKING LIFE-SAVING EQUIPMENT, DENMARK.



VIKING
LIFE-SAVING EQUIPMENT

P. O. Box 3060
6710 Esbjerg V
Denmark

Scale: 1:10
Dim. in: mm
Drawn.: 03.03.16 PSOM
Check.: 03.03.16 DW

General arrangement for ramp
for 2 pcs. life raft complete w. lashing

Drawing no.:
42004276

CAD Nr.: 42004276

Issue/ref. no. Date: Check: