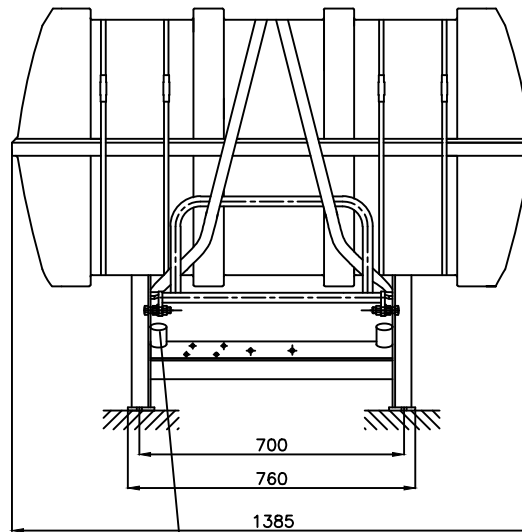
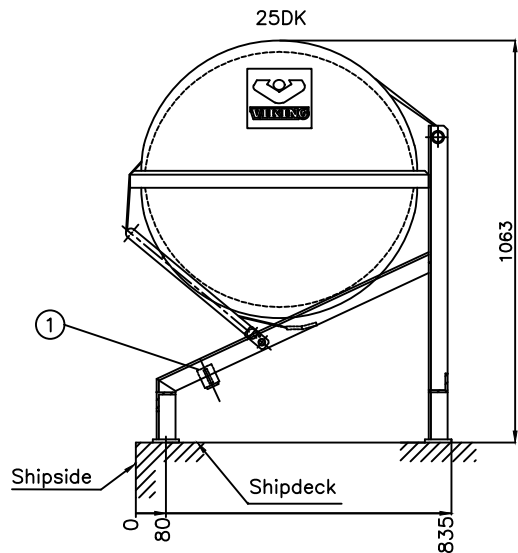
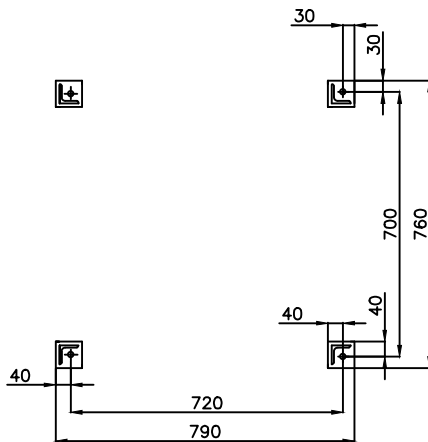
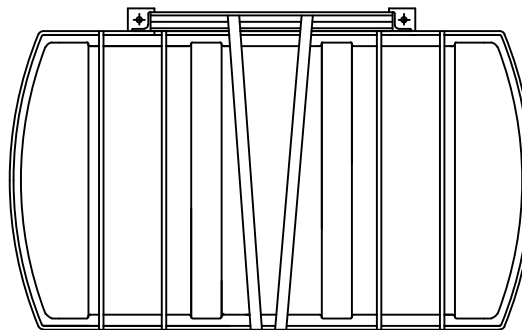


First angle projection

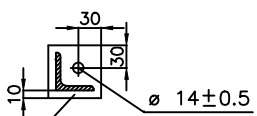


Holder for service pipe

Place service pipe in holder while life raft is being lashed.



(1:2)




4 Plate 70 x 70 x 8 mm

Weight: 37 kg
New part no. 1057480

Container Part no.:	Description:	Lashing:	Compl. Galv. Rack w. Lashing :
016-5100	DK 16	1004208	1057480
016-6000	DK 25 "B"	1004208	1057480
016-6000	DK 20 "A+B"	1004208	1057480
016-5200	DK 25 "A"	1004208	1057480
016-8000	DKF 20	1055798	1057673
016-8100	DKF 25	1055798	1057673

Measures are for guidance only

In case VIKING does not manufacture the cradle, VIKING will not be held responsible for construction, dimensioning and choice of material for the rack.

2	Lashing DK/DAK	1	-
1	Ramp 1015199	1	836-051.x-2
MTC. no.	Object	Piece	Draw. no.
Copyright of VIKING LIFE-SAVING EQUIPMENT, DENMARK, whose property this document remains. No part thereof may be disclosed, copied, duplicated or in any other way made use of. Except with the approval of VIKING LIFE-SAVING EQUIPMENT, DENMARK.			
		P. O. Box 3060 6710 Esbjerg V Denmark	Scale: 1:10 Dim. in: mm Drawn.: 11.06.14 DV Check.: 11.06.14 DV
General arrangement Rack for 1 pc liferaft Complete with Lashing set			Drawing no.: 42003742
Issue/ref. no.	Date:	Check:	CAD Nr.: 42003742
5355/	17.11.03	MS	