

1 2 3 4 5 6

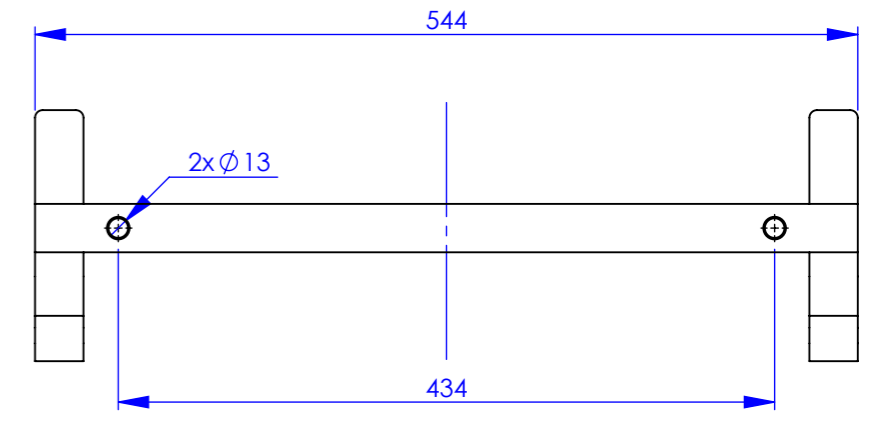
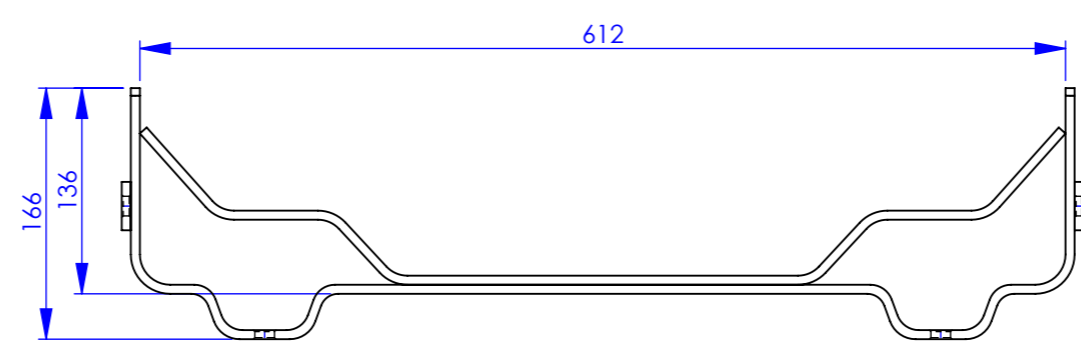
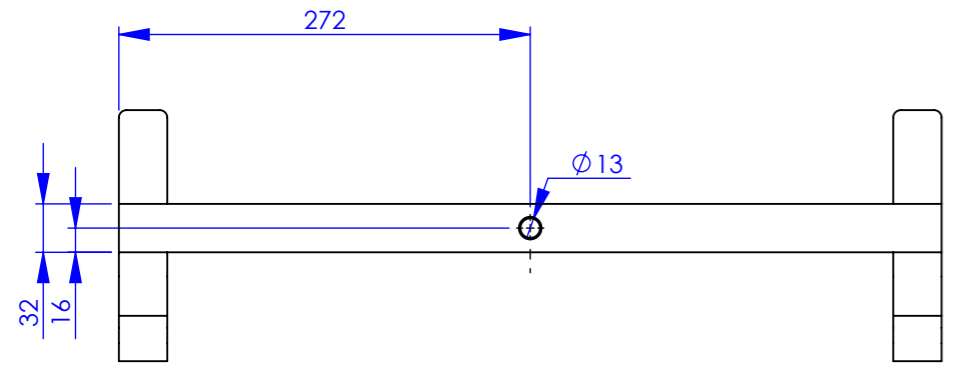
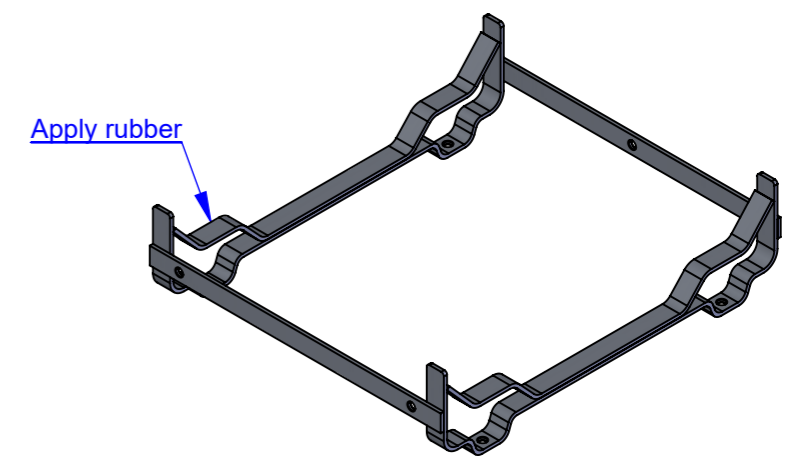
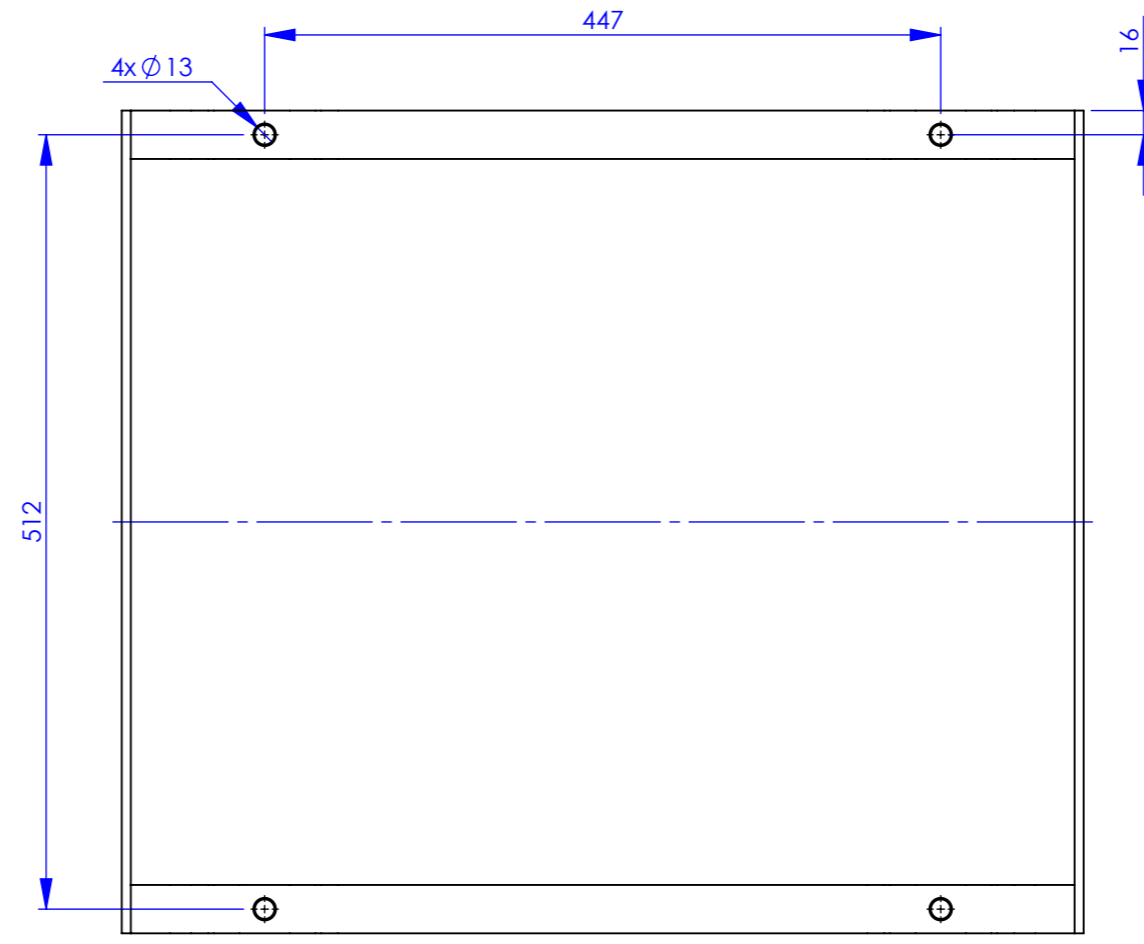
A

B



C

D

E



If the product is requested to be manufactured differently, this MUST be approved by VIKING LIFE-SAVING EQUIPMENT A/S and a specification of change must be filled in if the alteration is approved. Unless otherwise specified the product must always be clearly labelled with Viking part no., manufacturer ID and manufacturing year.

MATERIAL NO: 1025381, 1055031		Old DWG No: -	STATUS: FR	UNITS: mm/kg	WEIGHT : 2.2	CHECK DATE/INIT: 20130212/PSOM
BASIC MATERIAL: EN AW 6060		SURFACE TREATMENT: -		SHEETSIZE : A3	SCALE : 1:5	SHEET NO : 1/1
 VIKING LIFE-SAVING EQUIPMENT A/S Sædding Ringvej 13, DK-6710 Esbjerg V Tel.: +45 7611 8100 Fax.: +45 7611 8101 E-mail: viking@viking-life.dk Web: www.VIKING-life.com		PROJEKTION TYPE  <b>FIRST ANGLE PROJECTION</b> GENEREL TOLERANCE : <b>ISO 2768-1 M</b>		DESCRIPTION : <b>Aluminum Cradle for 016-9041 Container</b> <b>6 DK+</b>		
		CAD NO. : 15001154	Drawing NO. : 16004327	REV NO. : 00		

Copyright of VIKING LIFE-SAVING EQUIPMENT DENMARK whose property this document remains. No part thereof may be disclosed, copied, duplicated or in any other way made use of except with the approval of VIKING LIFE-SAVING EQUIPMENT DENMARK.

1 2 3 4 5 6