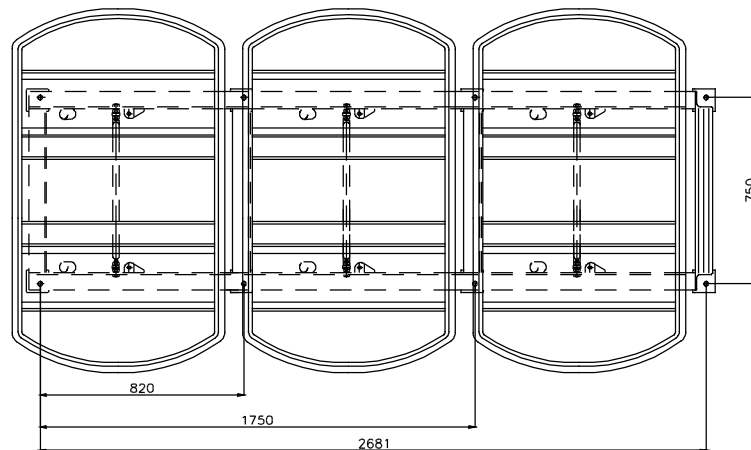
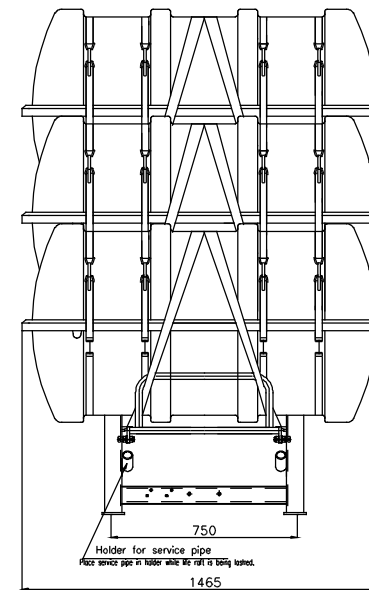
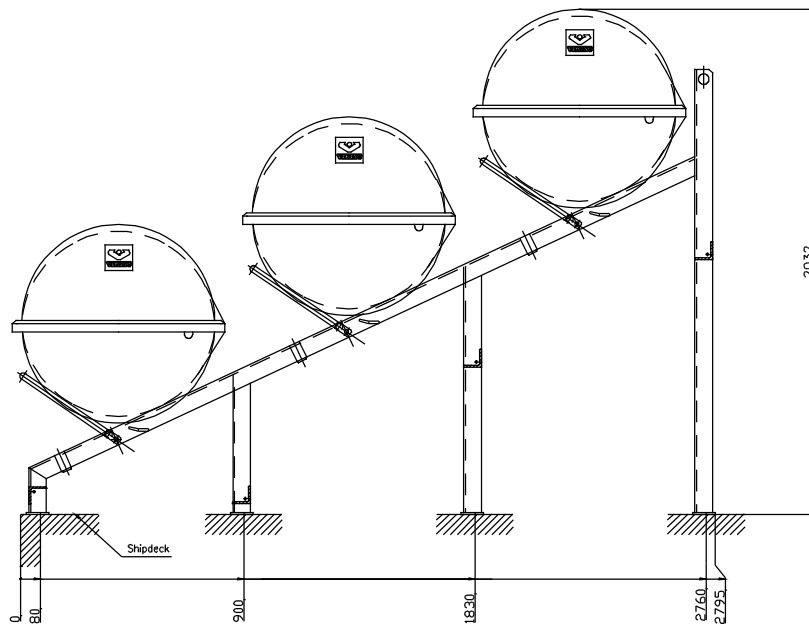


First angle projection



016-5400	DK 35 B	
016-5702	DK 35 A	1014459
016-5701	DKR 100	1014459
016-5701	DKS 50	1014459
016-5700	DKR 2X50	1014459
016-0181	DKS 50	1014459
016-0152	DKS 50	1014459
016-0139	DKS 50	1014459

Container Part no.: Description: Lashing:

1	Ramp	1	836-358-1
Piece	Object	Mrk.	Material/Certif.
Copyright of VIKING LIFE-SAVING EQUIPMENT, DENMARK, where property this document remains. No part thereof may be disclosed, copied, duplicated or in any other way made use of, except with the approval of VIKING LIFE-SAVING EQUIPMENT, DENMARK.			
		P. O. Box 3060 6710 Esbjerg V Denmark	T. SØGGE m 2005.06 NS 2005.06 GA
Drawing no.: General arrangement for ramp 3 pcs. liferaft containers			836-334-1
CAD No.: 8363341			

Part No. 1027658

Appr.	Date:	Check: