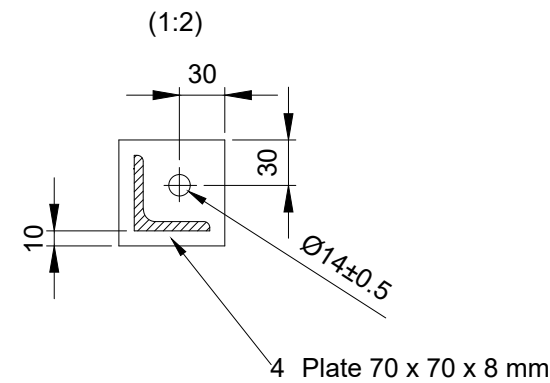
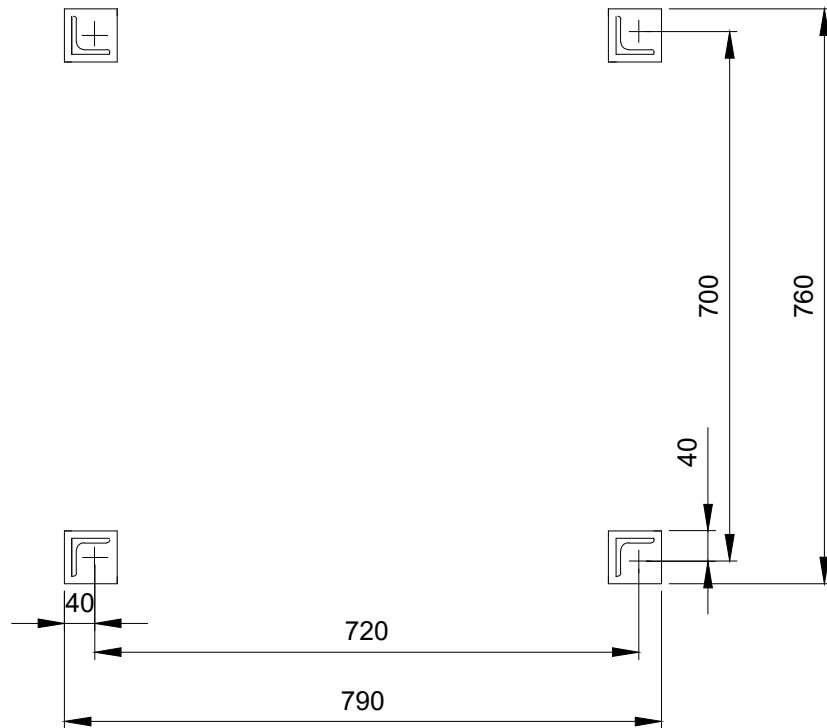
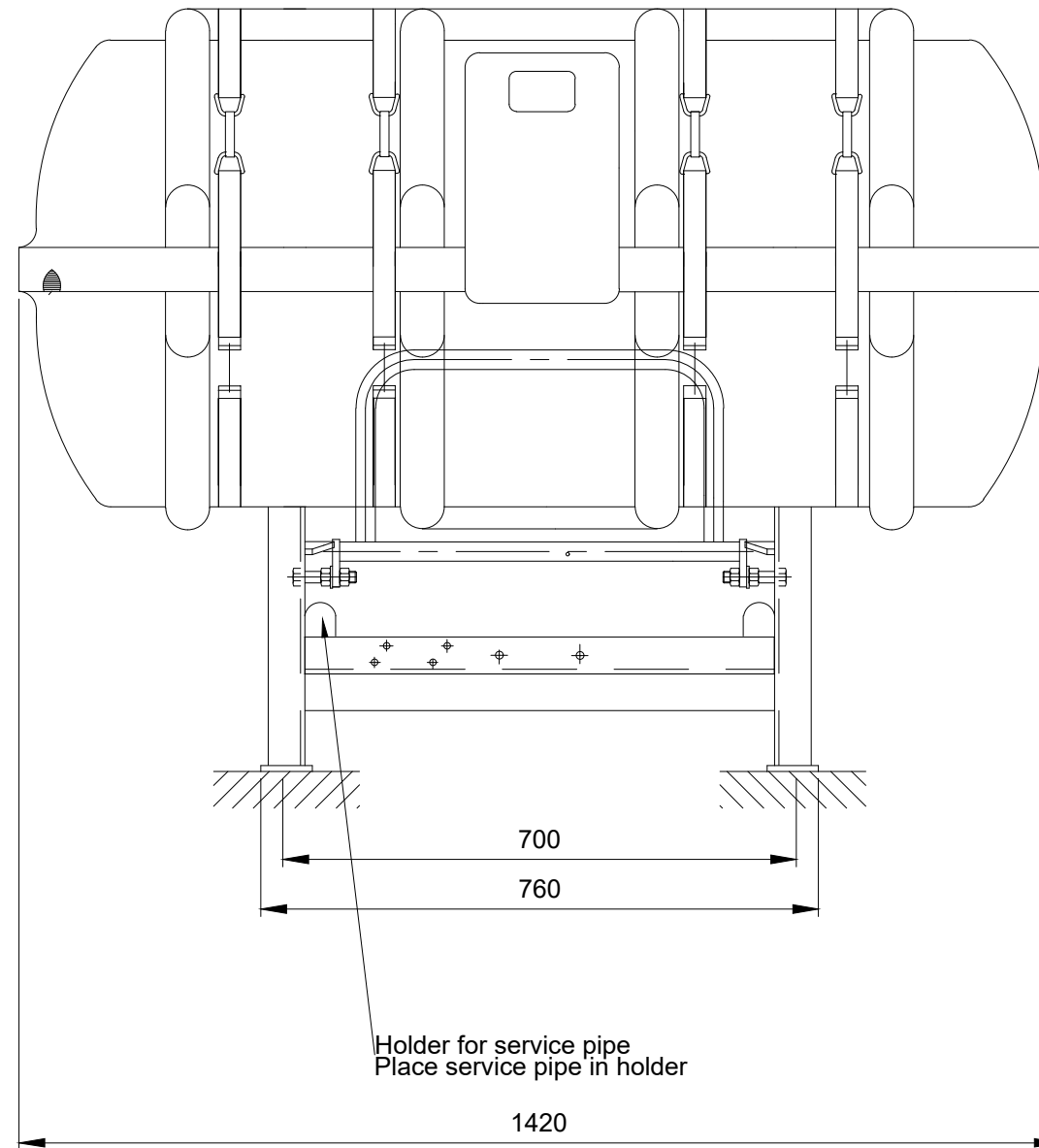
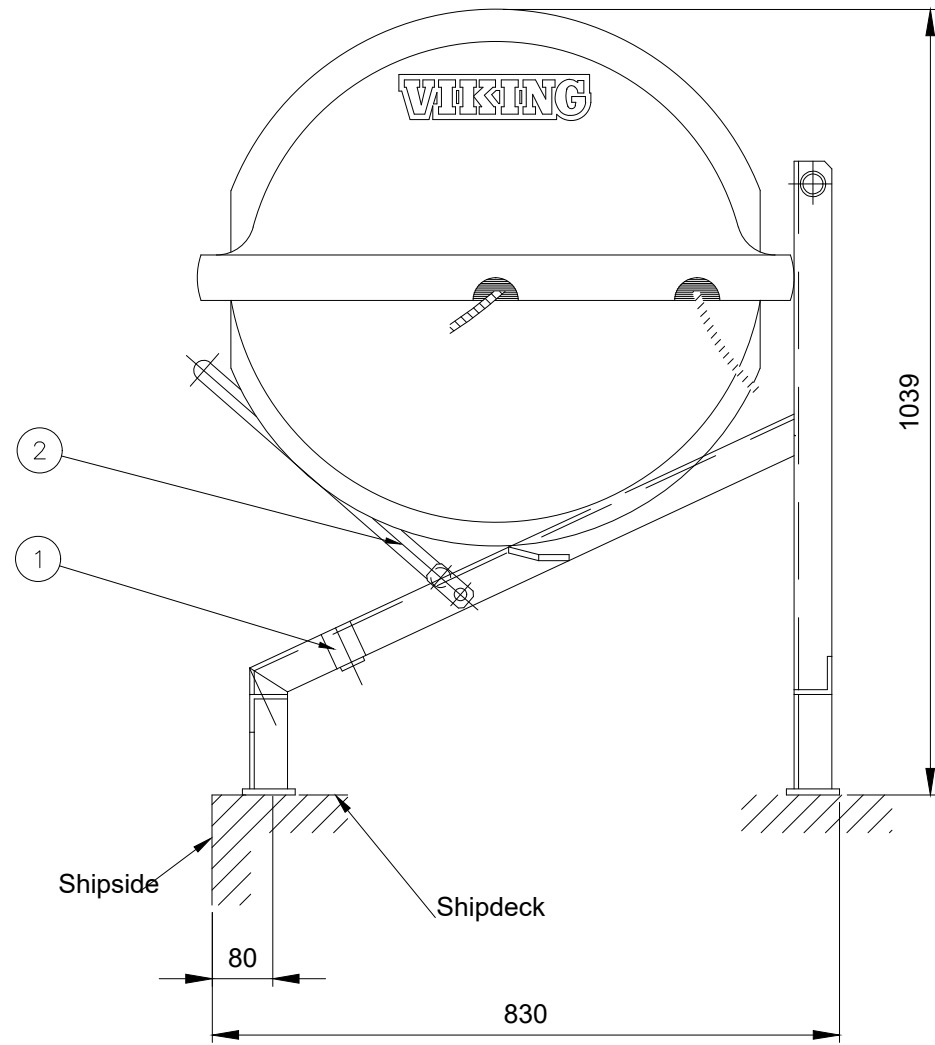


Container Part no.:	Description:
1000382	DKF 35



In case VIKING does not manufacture the cradle, VIKING will not be held responsible for construction, dimensioning and choice of material for the rack.

2	1	Beam	-
1	1	Rampstand	-
POS	QTY	DESCRIPTION	MATERIAL NO.
PARTLIST			
REPLACES: 42002125			
		VIKING Life-Saving Equipment A/S Sædding Ringvej 13 Tel: +45 7611 8100 DK-6710 Esbjerg V Fax: +45 7611 8101 Denmark Email: viking@viking-life.com	
		Drawn by TSRI	Check by TSRO
Project number		Project name	
Title		Client number	
General arrangement for liferaft container		Material Number Various No.	
Drawing type ASM		Weight N/A	
Drawing Number ENG-20096890		Projection method 	
Tolerances ISO 2768-1C, ISO 13920-C		Scale 1:10	
Revision 0		Sheet Size A3	
		Sheet No. 1/1	

