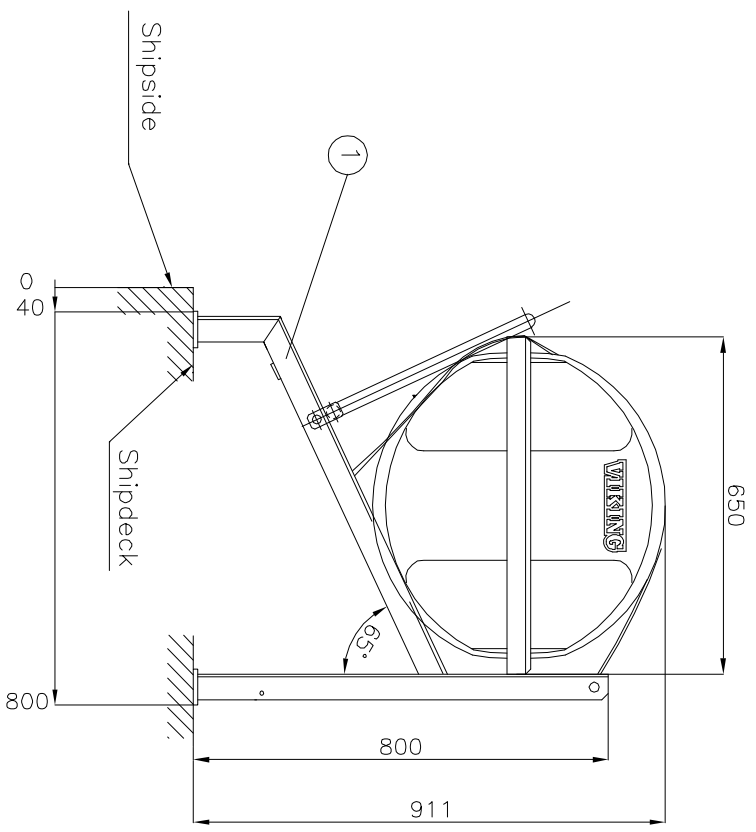
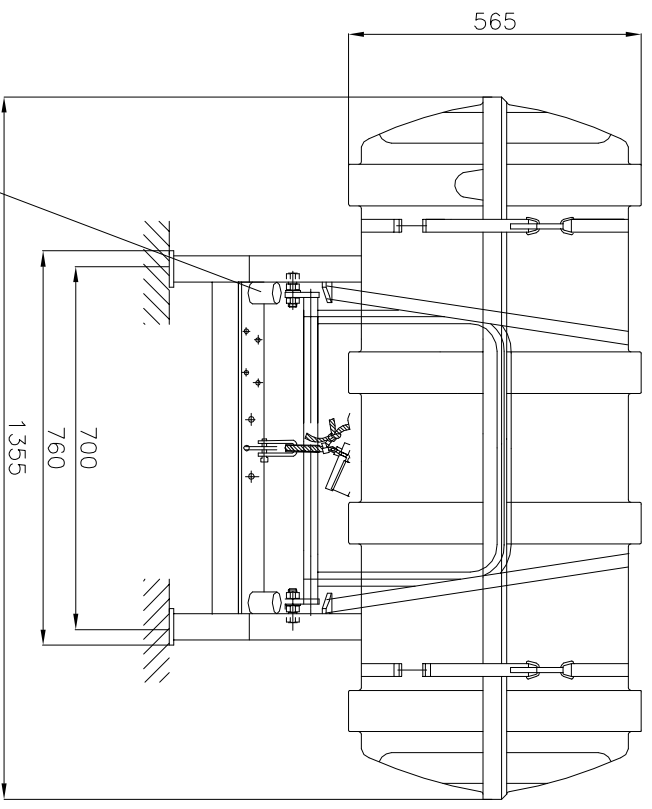


First angle projection



Holder for service pipe

Place service pipe in holder while container is being lashed



016-6100	DKR 25
016-6100	DKR 20
016-0013	DKR 20
016-6100	DK 10-12 "A/B"
016-0013	DK 10-12 "A/B"
Container Part no.:	Description:

In case VIKING does not manufacture the cradle, VIKING will not be held responsible for construction, dimensioning and choice of material for the rack.

Measures are for guidance only

Part no. 1004290
Part no. 052-6090

5851	05.03.08whoe	MS
5373/*	09.01.04	MS
Issue/ref. no	Date	Check:

Piece	Rack	1	836-029.2-2
Text		Mrk no.	Drawing no.

Copyright of VIKING LIFE-SAVING EQUIPMENT, DENMARK, whose property this document remains. No part thereof may be disclosed, copied, duplicated or in any other way made use of. Except with the approval of VIKING LIFE-SAVING EQUIPMENT, DENMARK.



VIKING
LIFE-SAVING EQUIPMENT

P.O. Box 3060
6710 Esbjerg V
Denmark

Scale:	1:10	Dim. in:	mm	Drawn:	25.08.94 SL
Drawing no.:		Check:			24.08.94. PEA

General arrangement for rampstand
for 1 pcs. life raft container

CAD Nr.: 8360693