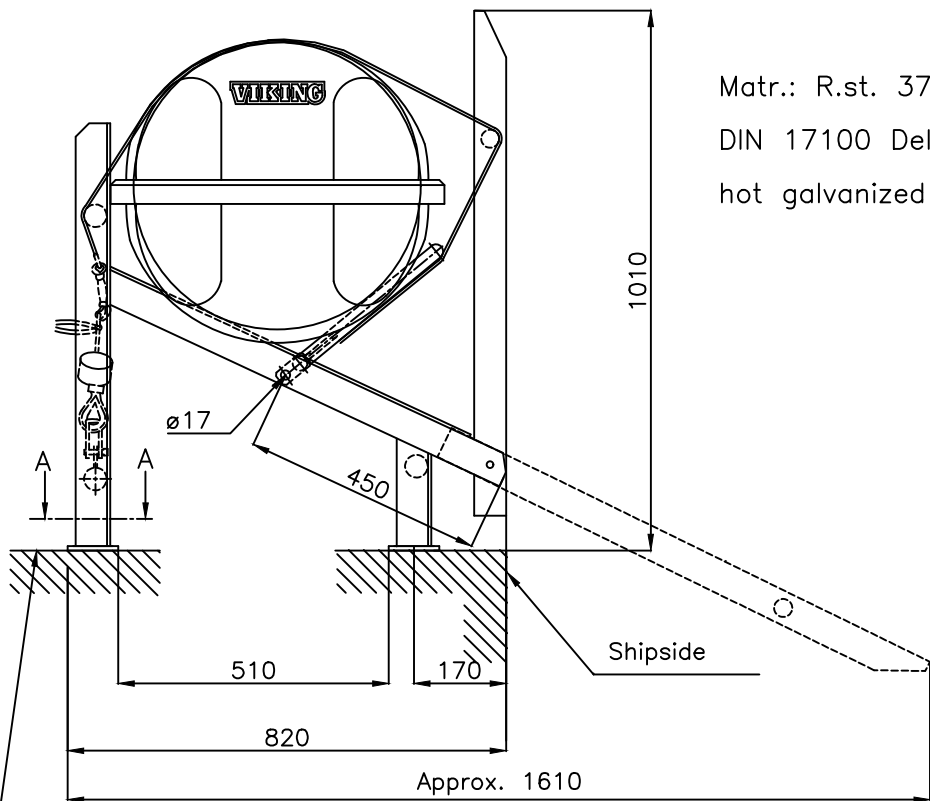
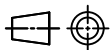
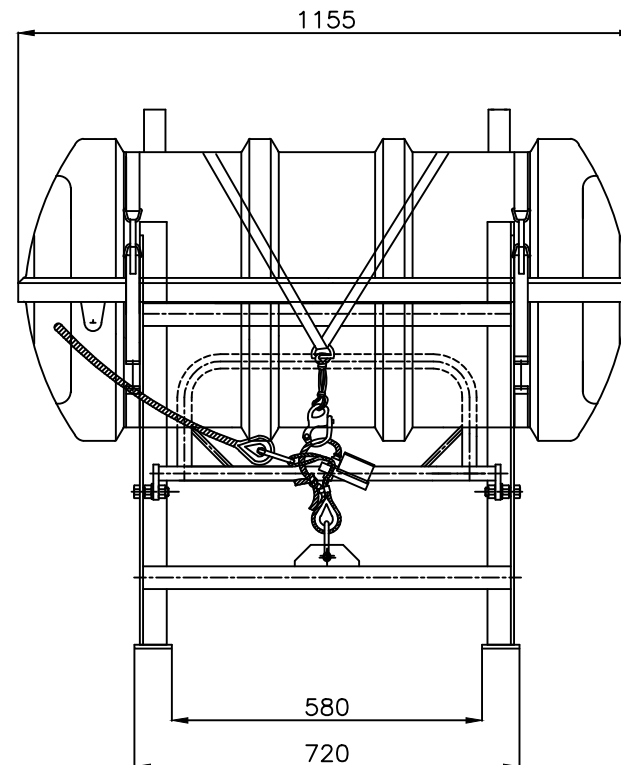


First angle projection



Matr.: R.st. 37-2 -
DIN 17100 Delivered
hot galvanized



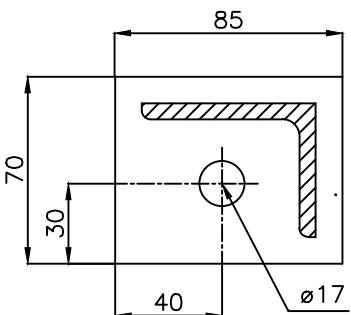
In case VIKING does not manufacture the cradle, VIKING will not be held responsible for construction, dimensioning and choice of material for the rack.

Measures are for guidance only.

Shipdeck

Shipside

Approx. 1610



SECTION A-A

VIKING part No: 052-6083

Copyright of VIKING LIFE-SAVING EQUIPMENT, DENMARK, whose property this document remains. No part thereof may be disclosed, copied, duplicated or in any other way made use of. Except with the approval of VIKING LIFE-SAVING EQUIPMENT, DENMARK.



VIKING
LIFE-SAVING EQUIPMENT

P. O. Box 3060
6710 Esbjerg V
Denmark

Scale:	Dim. in:	Drawn.:
1:10	mm	20.02.03 MS
		Check.:
		20.02.03 GA

General arrangement for slide cradle
for 1 pcs. life raft container
6DK container no. 016-5000

Drawing no.:
836-286-3

Issue/	Date:	Check:
ref. no		

(this drawing is also in danish)

CAD Nr.: 8362863