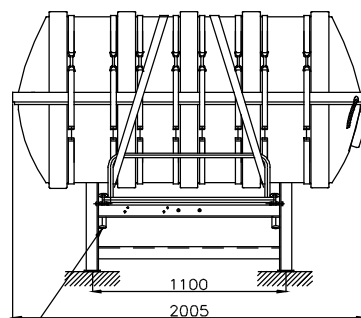
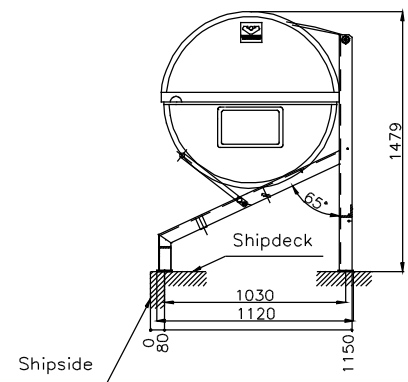
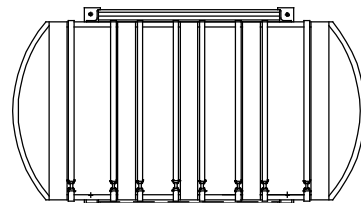
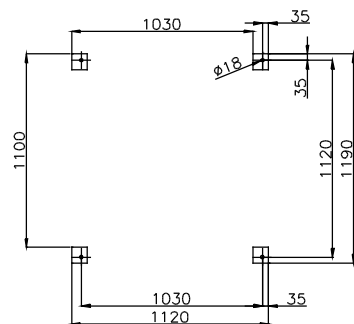


First angle projection



Holder for service pipe
Place service pipe in holder while life raft is being lashed.



VIKING
Date: 21.01.03 ENG
TECHNICAL DEPARTMENT
Design office

Measure are for guidance only

In case VIKING does not manufacture the cradle, VIKING will not be held responsible for construction, dimensioning and choice of material for the rack.

016-0194	VEMS100DKR	1014458
016-0186	DKR 150	1014458
016-0186	DKS 100"B	1014458
Container Part no.:	Description:	Lashing arr.

New part no. 1004196
Part no.:052-6081

Weight: 61 Kg

1	Rack	1	836-026.x-2
MFC no.	Object	Piece	Draw. no.
Copyright of VIKING LIFE-SAVING EQUIPMENT, DENMARK, whose property this document remains. No part thereof may be disclosed, copied, duplicated or in any other way made use of. Except with the approval of VIKING LIFE-SAVING EQUIPMENT, DENMARK.			
51655/#	18.02.02.LJ MS	1:20	Dim. in: mm Drawn.: 17.05.94 LJ Check.: 17.05.94 PEA
*/16855	16.01.01.ENG MS	Drawing no.: 836-027.4-2	
*/1503S	26.09.00EB MS	CAD Nr.: 8360272	
7/1473S	04.08.00ENG MS	This drawing is also in English	
Issue/rel. no	Date:	Check.:	



P.O. Box 3060
6710 Esbjerg V
Denmark

General arrangement for rack for 1 pcs. life raft container