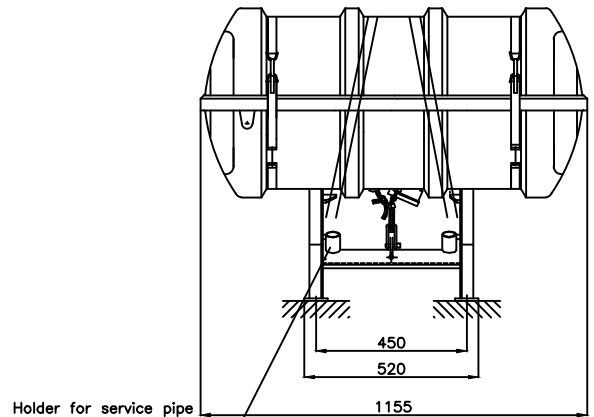
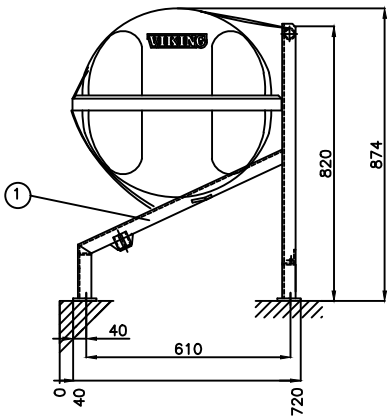
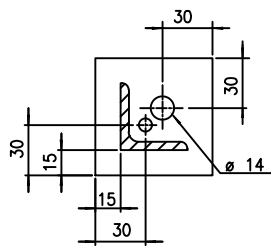
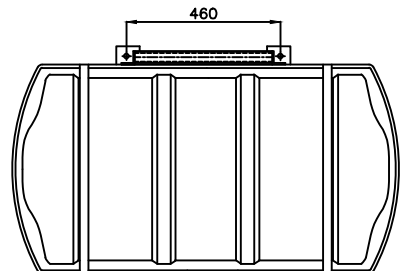
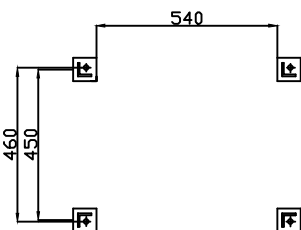


First angle projection



Holder for service pipe  
Place service pipe in holder while life raft is being lashed.



Measures are for guidance only  
In case VIKING does not manufacture the cradle, VIKING will not be held responsible for construction, dimensioning and choice of material for the rack.

016-	-	
016-6100	-	10 DK
016-6000	-	12 DKR
016-5000		RDV 12
016-0006		6 DK
016-5000		4, 6 & 8 DK
Container Part no.:	Container Part no.:New	Description:

New part no.: 1004291  
Old part no.: 052-6091

01	Change of footplate dimensions, add square plate, extra plate and warning sign	10.03.10	DW
REV	DESCRIPTION	DATE	APP.

1	Rack	1	836-028-2
Part	Text	Mk no.	Des. no.
Copyright of VIKING LIFE-SAVING EQUIPMENT, DENMARK, whose properly this document remains. No part thereof may be disclosed, copied, duplicated or in any other way made use of, except with the approval of VIKING LIFE-SAVING EQUIPMENT, DENMARK.			
	P. O. Box 3060 6710 Esbjerg V Denmark	Scale:	1:10
		Unit:	mm
		Drawn:	08.09.94 LJ
		Check:	08.09.94 PEA
Rack for 1 pcs. life raft container 6 DK (This drawing is also in danish)			Drawing no.: 42001994
			CAD Nr.: 8380742