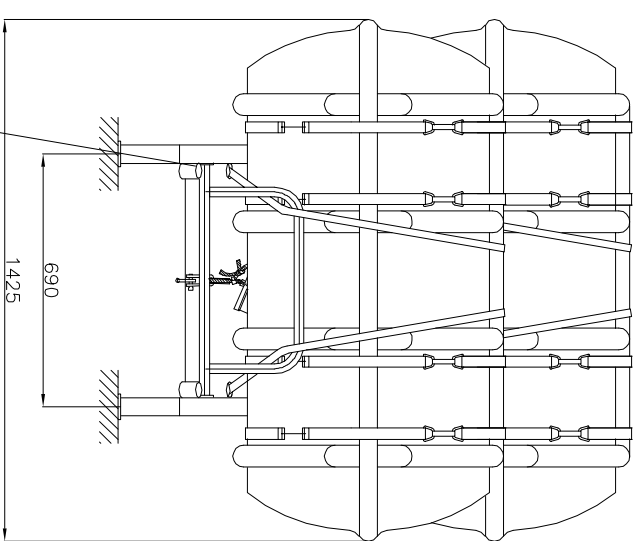
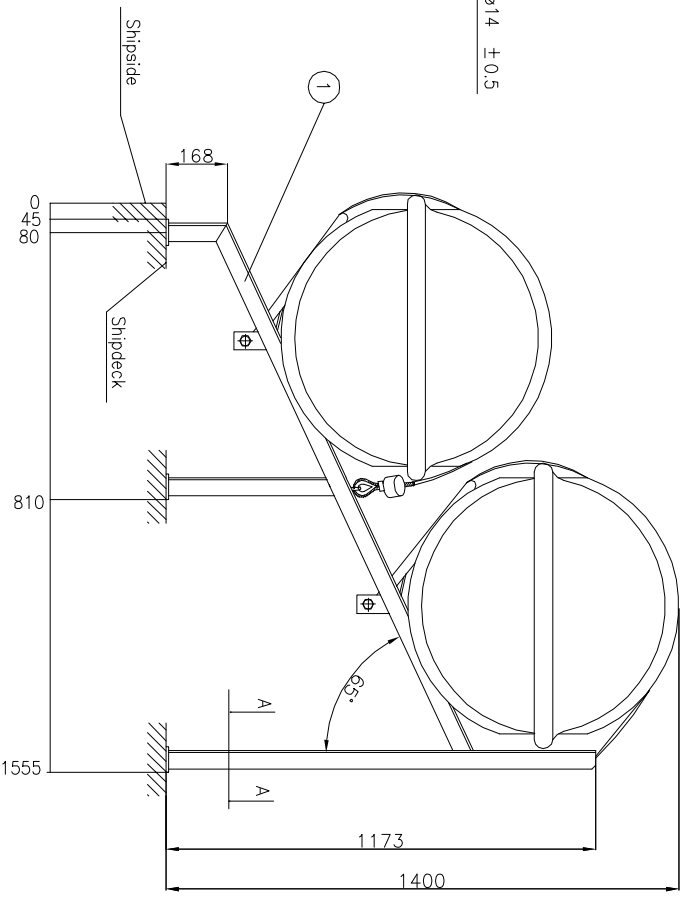
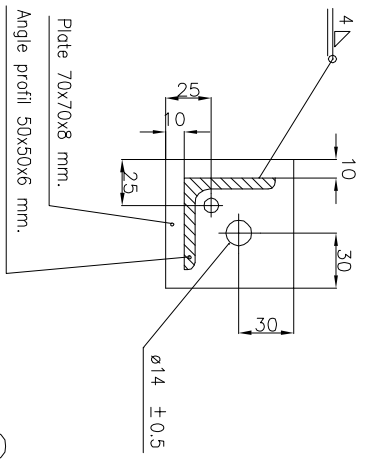


First angle projection

Section A-A (1:2)



Holder for service pipe  
Service pipes 1 holder, mess fibreline sures.  
Place service pipe in holder while container is being lashed.

016-0162	DKS 25	-
016-5100	DK 16	1004164
016-0008	DK 16	1004164
016-6100	DK 10-16	-
016-0013	DK 10-16	-
016-6000	DK 20	1004164
016-0016	DK 20	1004164
016-6000	DK 20-25	1004164
016-0016	DK 20-25	1004164
016-5200	DK 25 "A"	-
016-0111	DK 25 "A"	-
016-6000	DKR 20-25	1004164
016-0016	DKR 20-25	1004164
016-5200	DKR 50	-
016-0111	DKR 50	-
Container Part no.:	Description:	Lashing

Producer of rack is responsible for weldings, dimensioning and choice of material.

New part no. 1004147  
Old part no. 052-6078

Copyright of **VIRKING LIFE-SAVING EQUIPMENT, DENMARK** unless properly this document remains. No part thereof may be discussed, copied, duplicated or in any other way made use of, except with the approval of **VIRKING LIFE-SAVING EQUIPMENT, DENMARK**.



P. O. Box 3060  
6710 Esbjerg V  
Denmark

General arrangement for rampstand for 2 pcs. life raft container

1	Rampstand	1	836-053-x-1
Scale:	1:10	Drawn:	1608SKU
Check:	mm	Drawn:	1608SKU
Check:	mm	Drawn:	1608SKU

Drawing no.: 836-052-2

CAD No.: 836022

ISSUE/rev. no.	DATE	CHANGE