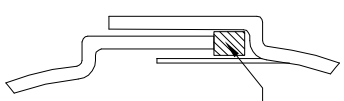
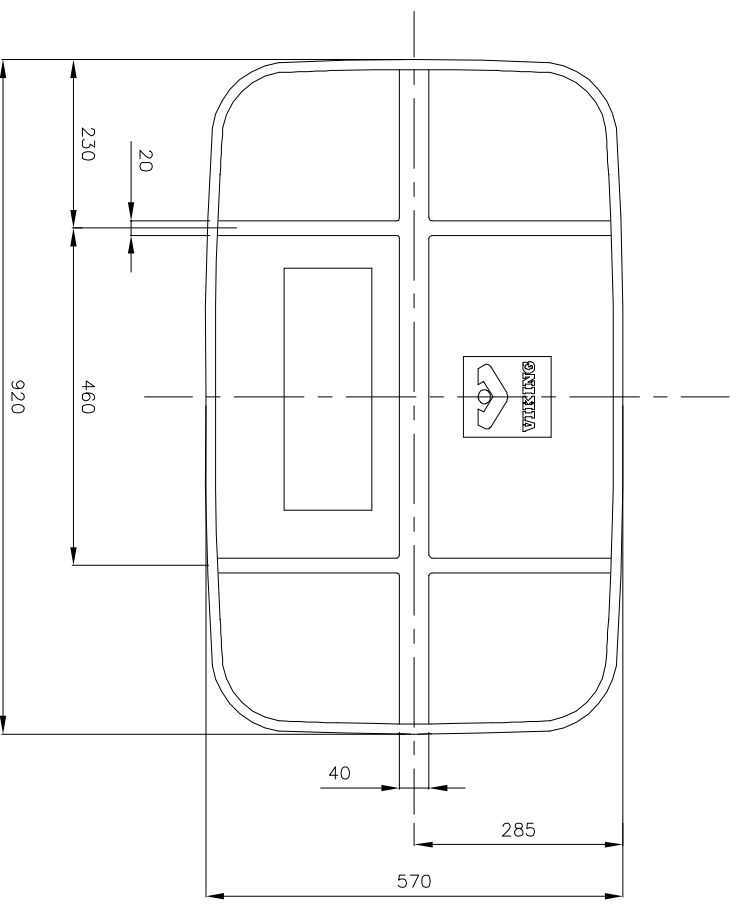
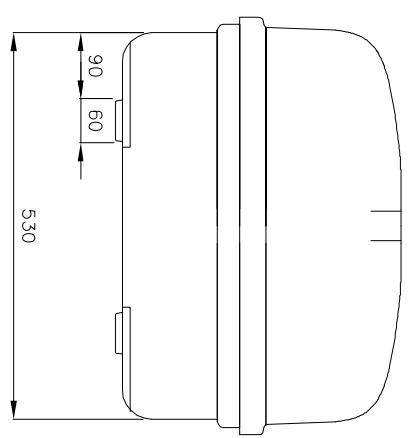
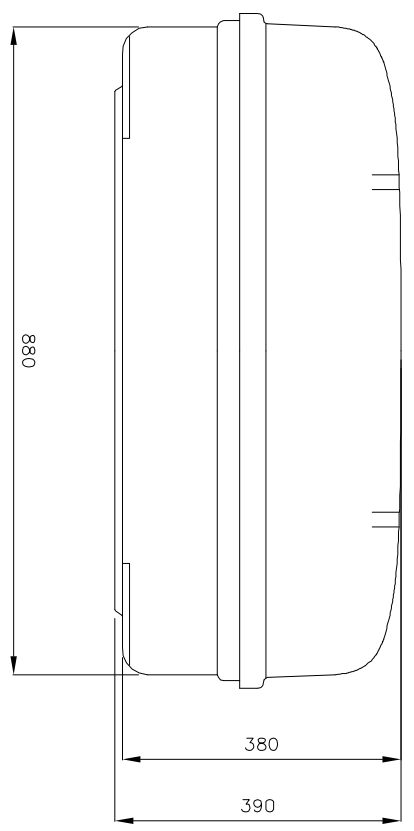




First angle projection



Sealing profile  
part no.: Z45-0001

Copyright of WILKING LIFE-SAVING EQUIPMENT DENMARK unless property has otherwise been stated. No part thereof may be disclosed, copied, duplicated or in any other way made use of, except with the approval of WILKING LIFE-SAVING EQUIPMENT, DENMARK.



**WILKING**  
LIFE-SAVING EQUIPMENT

P. O. Box 3060  
6710 Esbjerg V  
Denmark

Scale:	Dyn. no.	Drawing:
1:5	mm	240303 EB
		Check: 240303 CJ

FLAD CONTAINER 016 - 0040

6 DK 'A+B' 8 DK'B' 10 DK 'B'

300 - 1889

Issue/rev. no.	Date:	Change:

Drawing no.:	300 - 1889
CAD No.:	3001889