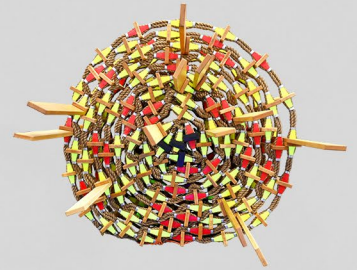
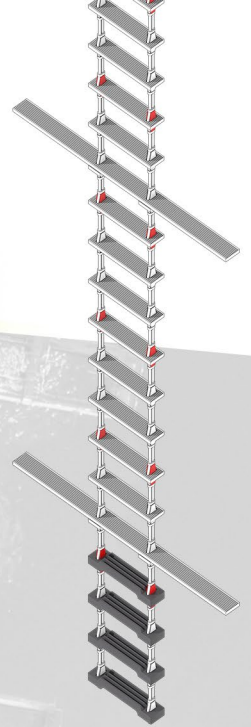


PILOT LADDER clamping system



New high-quality ladders ensure maximum safety and comfort thanks to the use of:

- 20 mm manila ropes, first class only, with a strength exceeding 24 Kn
- steps made of hard wood, first class only, with ergonomic shapes, all rounded edges and a specially designed anti-slip surface
- plastic chocks made of yellow-green fluorescent material for good visibility of ladders during the day and at night
- damaged steps can be easily replaced without replacing the aluminum clamps
- the possibility of extending / securing rope with manila first class only ropes of 48Kn strength each
- the special shape of the aluminum clamps with rounded edges ensures a very strong and tight clamp

Specification:

- ladder includes: hardwood steps, spreader steps, rubber steps
- compliance with ISO 799-1:2019 (E), SOLAS
- MED, DNV-GL, RMRS approved

DREWIL ENTERSHIP is the new name of DREWIL company.

DREWIL ENTERSHIP 83-305 Pomieczyno, POLAND DREWILENTERSHP.COM
+48 501 048 686 +48 501 713 255 info@drewilentership.com

SECURING ROPE for pilot ladder



Choose the right accessories for the pilot's ladder. We offer a securing rope with the following features ensuring safety and comfort of use:

- 28 mm manila ropes, first class only, with a strength exceeding 48 Kn
- the extension is used as an accessory to the pilot's ladder
- a rope ended with a braid creates a **pilot ladder Type A**

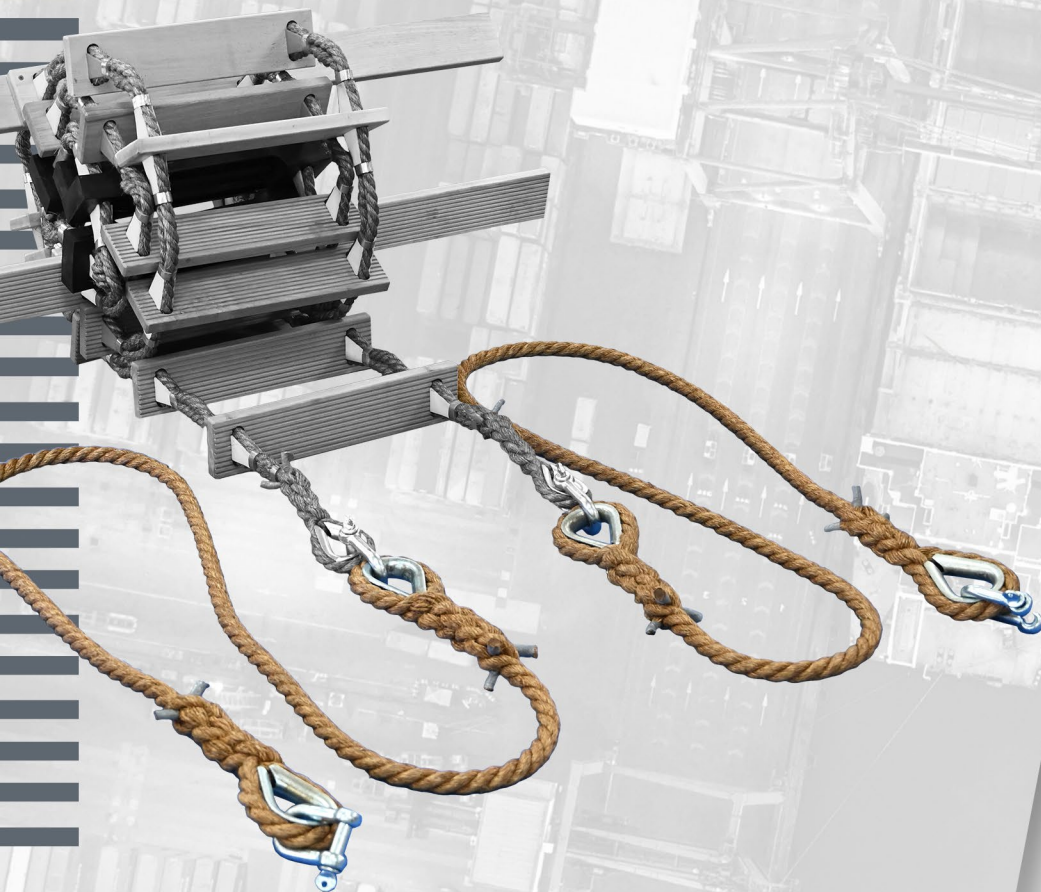
Specification:

- minimum rope length - 3 meters
- kit includes two extensions
- rope diameter - 28 mm
- compliance with **ISO 799-1:2019 (E), SOLAS**
- **MED, DNV-GL, RMRS** approved

DREWIL ENTERSHIP is the new name of DREWIL company.

DREWIL ENTERSHIP 83-305 Pomieczyno, POLAND DREWILENTERSHP.COM
+48 501 048 686 +48 501 713 255 info@drewilentership.com

EXTENDED/TIED DOWN ROPE for pilot ladder



Choose the right accessories for the pilot's ladder. We offer an extended rope with the following features ensuring safety and comfort of use:

- 28 mm manila ropes, first class only, with a strength exceeding 48 Kn
- the extension is used as an accessory to the pilot's ladder
- a rope ended with a thimble creates a **pilot ladder Type B**

Specification:

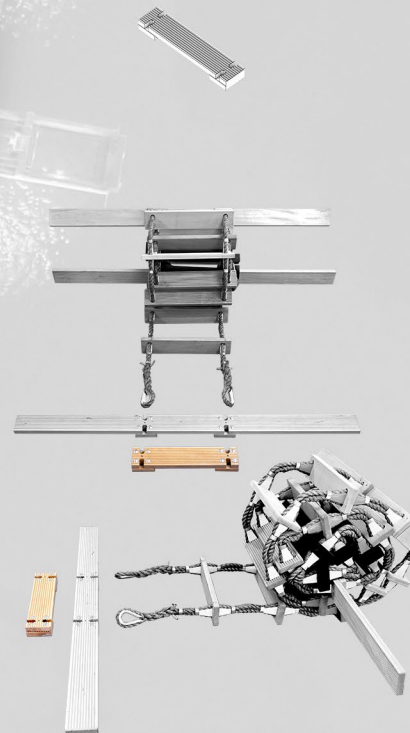
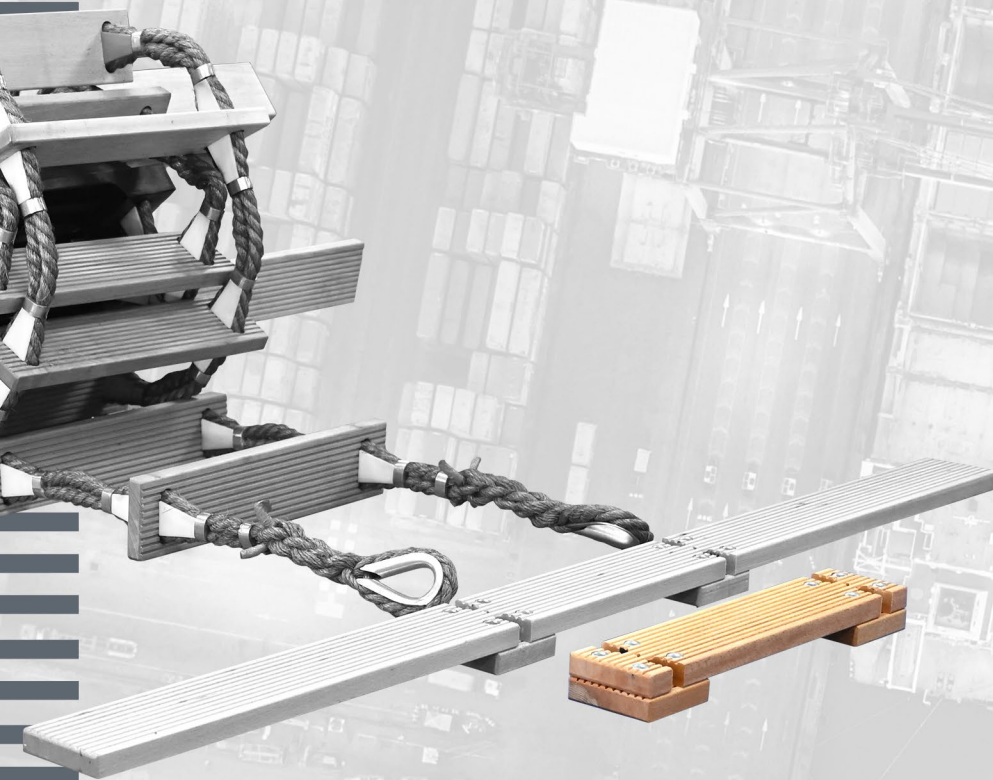
- minimum rope length - 3 meters
- kit includes two extensions
- rope diameter - 28 mm
- compliance with **ISO 799-1:2019 (E), SOLAS**
- **MED, DNV-GL, RMRS** approved



DREWIL ENTERSHIP is the new name of DREWIL company.

DREWIL ENTERSHIP 83-305 Pomieczyno, POLAND DREWILENTERSHP.COM
+48 501 048 686 +48 501 713 255 info@drewilentership.com

REPLACEMENT STEP for pilot ladder



Choose the right accessories for the pilot's ladder. We offer a replacement step with the following features ensuring safety and comfort of use:

- damaged steps can be easily replaced without replacing the aluminum clamps
- steps made of **hard wood, first class only, with ergonomic shapes, all rounded edges and a specially designed anti-slip surface**

Specification:

- step dimensions 525 x 115 x 28 mm
- the set includes all the necessary elements needed to replace the damaged step
- the set includes illustrated instructions, thanks to which you can easily replace the damaged step
- compliance with **ISO 799-1:2019 (E), SOLAS**
- **MED, DNV-GL, RMRS** approved

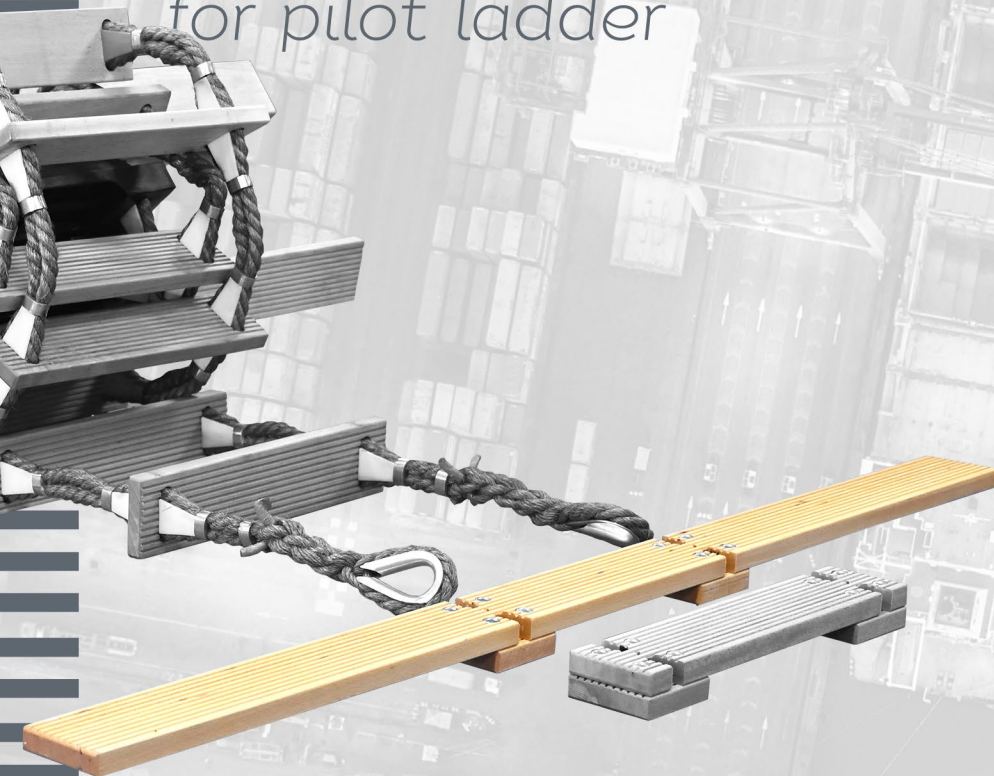


DREWIL ENTERSHIP is the new name of DREWIL company.

DREWIL ENTERSHIP 83-305 Pomieczyno, POLAND DREWILENTERSHP.COM
+48 501 048 686 +48 501 713 255 info@drewilentership.com

REPLACEMENT SPREADER STEP

for pilot ladder

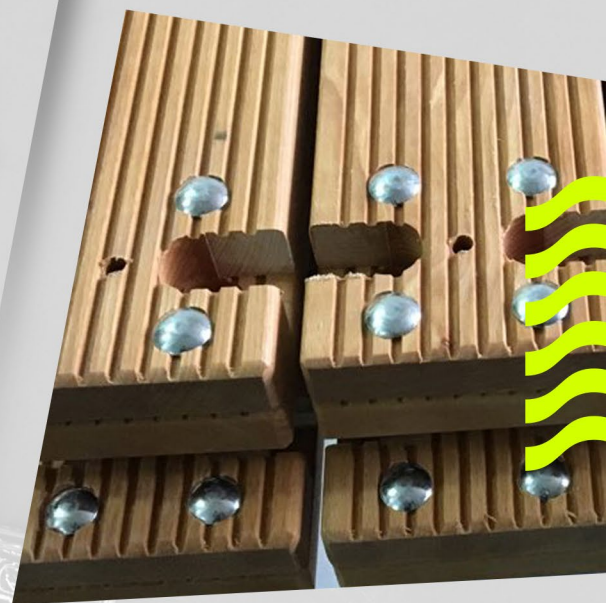


Choose the right accessories for the pilot's ladder. We offer a replacement spreader step with the following features ensuring safety and comfort of use:

- damaged spreader step can be easily replaced without replacing the aluminum clamps
- spreader step made of hard wood, first class only, with ergonomic shapes, all rounded edges and a specially designed anti-slip surface

Specification:

- step dimensions 1800 x 115 x 28 mm
- the set includes all the necessary elements needed to replace the damaged spreader step
- the set includes illustrated instructions, thanks to which you can easily replace the damaged spreader step
- compliance with **ISO 799-1:2019 (E)**, **SOLAS**
- **MED, DNV-GL, RMRS** approved

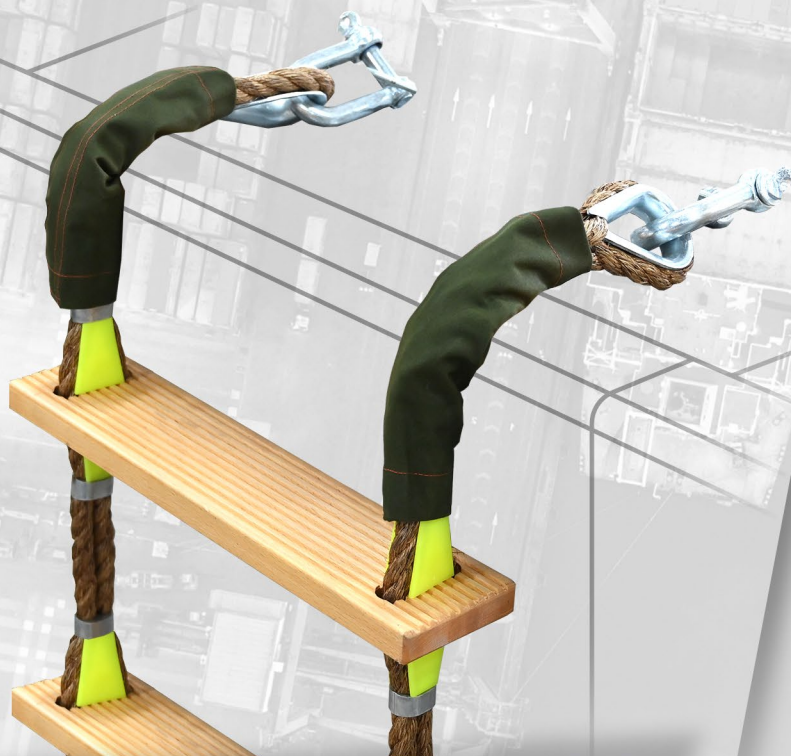


DREWIL ENTERSHIP is the new name of DREWIL company.

DREWIL ENTERSHIP 83-305 Pomieczyno, POLAND DREWILENTERSHP.COM
+48 501 048 686 +48 501 713 255 info@drewilentership.com

PROTECTION SLEEVES

for pilot & embarkation ladders



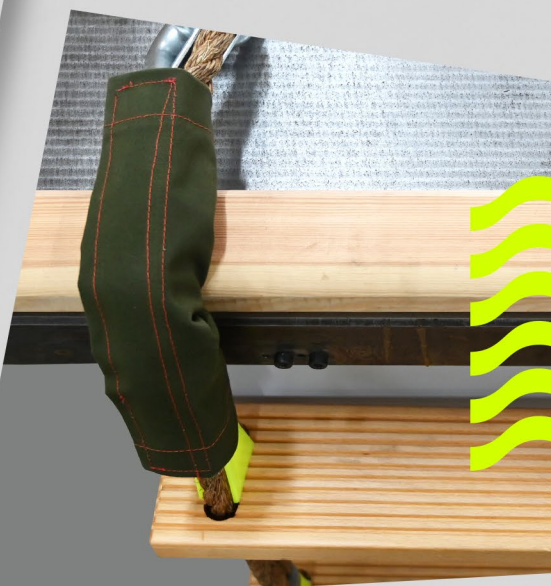
One of the most common reasons for breaking the pilot ladder is its rubbing against the ship's side. To prevent this, use a rubber or wooden edge guard. Secure the top section of the ladder with additional protective sleeves. And check the technical condition of the rope and sleeves each time.

Choose the right accessories for the pilot's ladder. We offer a protection sleeves with the following features ensuring safety and comfort of use:

- protects the rope against abrasion
- extends the durability of the ladder
- easy fastening with Velcro

Specification:

- made of canvas fabric
- kit includes two protection sleeves



DREWIL ENTERSHIP is the new name of DREWIL company.

DREWIL ENTERSHIP 83-305 Pomieczyno, POLAND DREWILENTERSHP.COM
+48 501 048 686 +48 501 713 255 info@drewilentership.com