
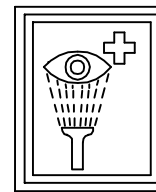


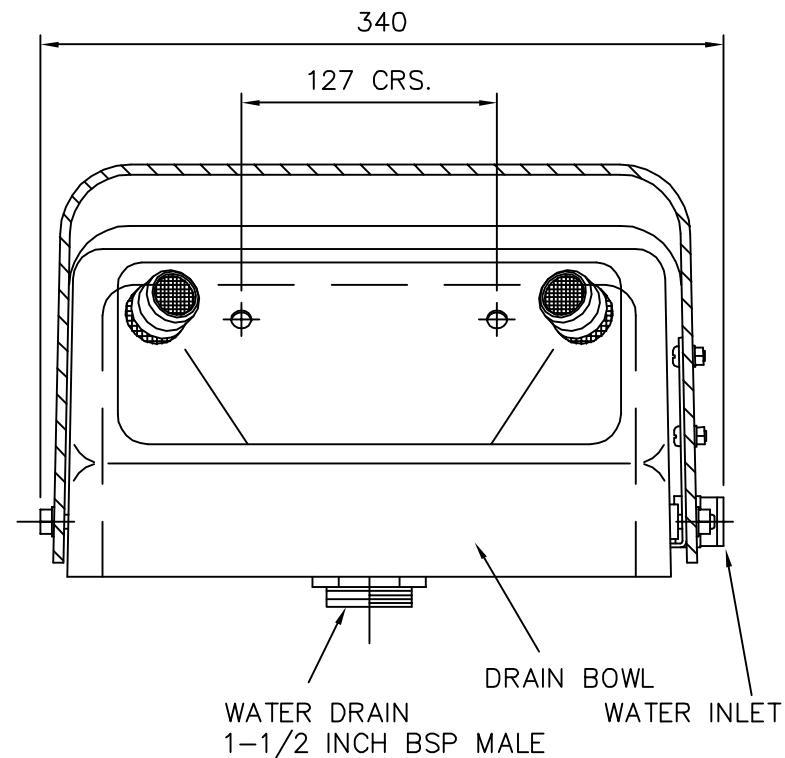
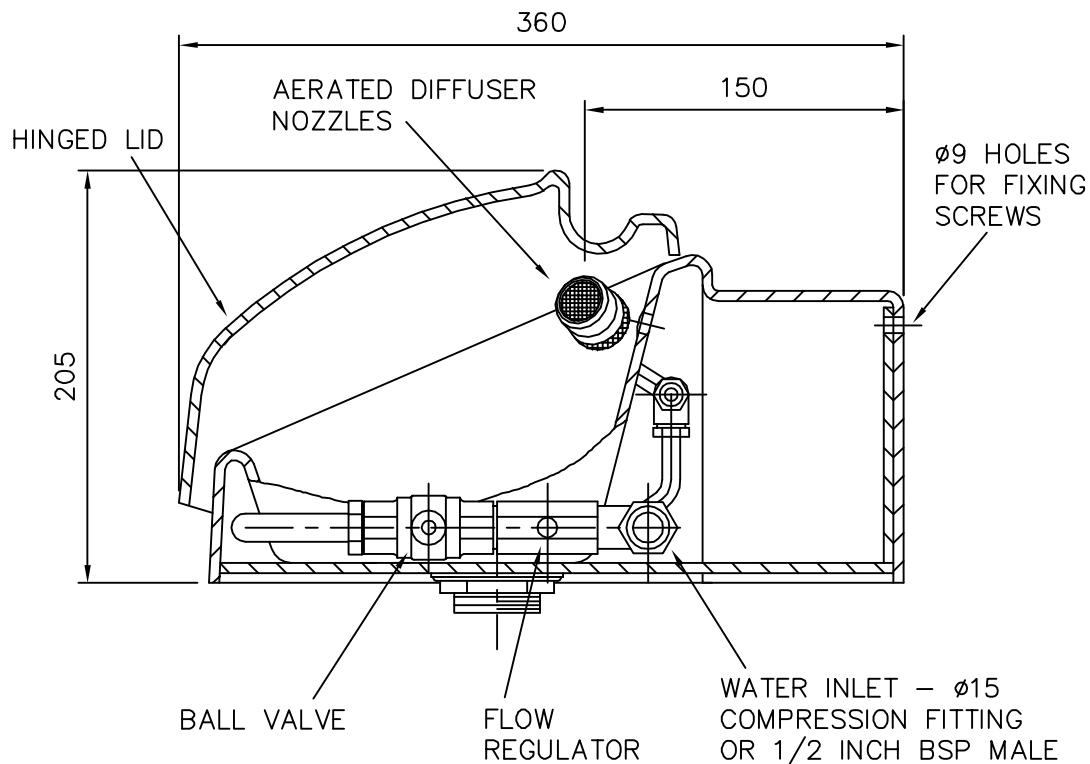
DIMENSIONS IN MILLIMETRES

PROJECTION 

NOTE: - EYEBATH NOZZLES TO BE 840-1120mm
(33 - 45 INCHES) ABOVE FLOOR LEVEL.



PICTOGRAM EYEBATH
SIGN SUITABLE FOR
WALL MOUNTING
(OPTIONAL)



WALL MOUNTED EYEBATH/FACEWASH FOUNTAIN.

MANUFACTURED FROM SCRATCH RESISTANT ACRYLIC CAPPED ABS PLASTIC - COLOUR WHITE

DRAWN	ASF	HUGHES SAFETY SHOWERS Whitefield Road, Bredbury, Stockport, Cheshire, SK6 2SS, England. Telephone (0)161 430 6618, Fax (0)161 430 7928 Email: sales@hughes-safety-showers.co.uk	MODEL
CHECKED	AL		STD-45G
APPROVED	ADH		
DATE	22/12/03		DRAWING NO: DG36002