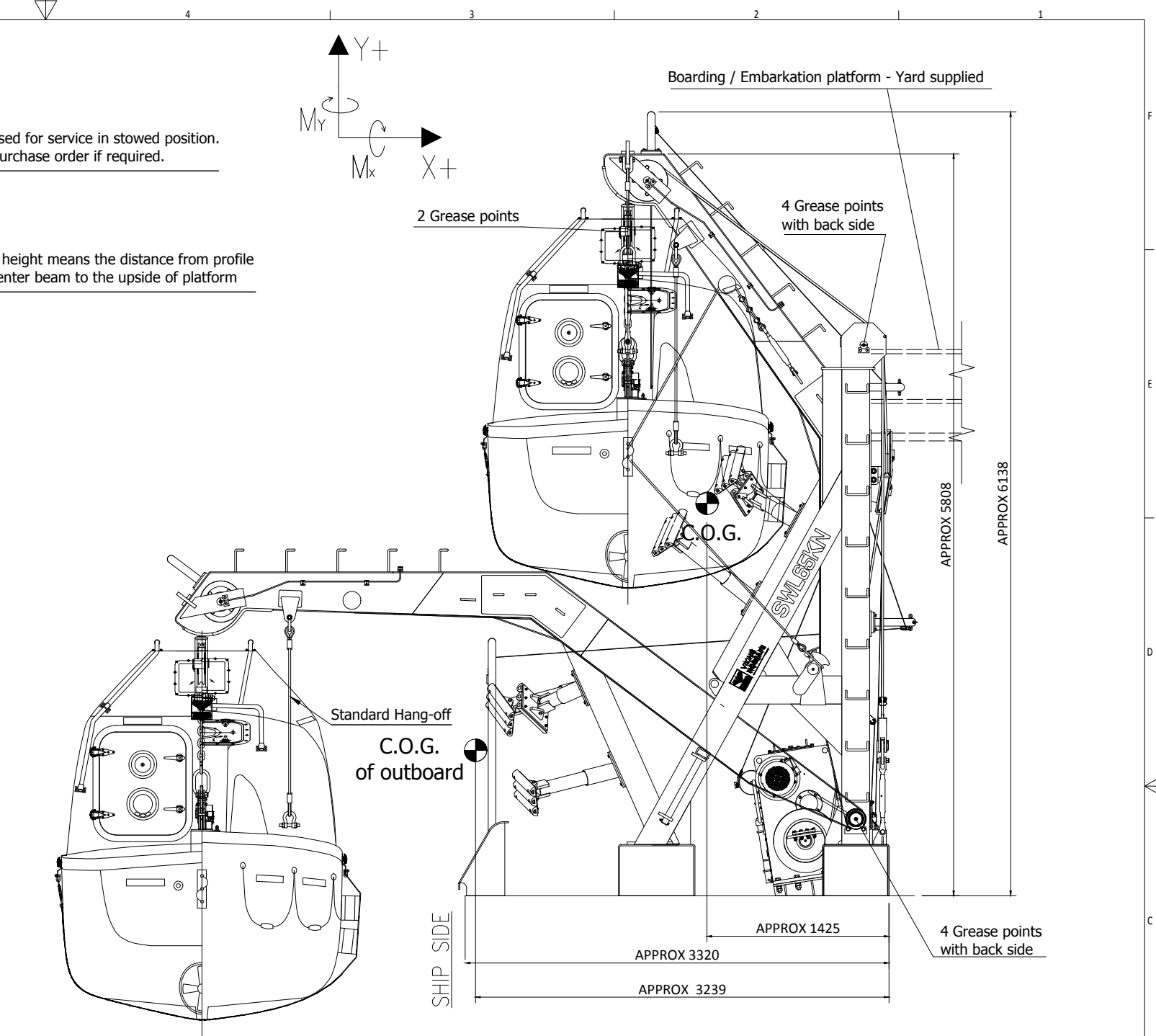


- NOTES:
- ACCESS PLATFORMS & BOARDING, WALK WAYS, STAIRS & HANDRAILINGS, DOUBLER PLATES, ETC.: YARD SUPPLY - TO BE FINALIZED DURING LIFEBOAT INSTALLATION.
 - ELECTRIC WIRING BY YARD.
 - FIELD WELDS TO BE WELDED BY YARD ARE SHOWN BY FLAG:
 - ALL FIELD WELDS TO BE PERFORMED ACC. TO APPROVED WPS. (YARD RESPONSIBILITY). ALL FIELD WELDING IS SUBJECT TO CLASS APPROVAL PRIOR TO START WELDING.
 - ALL STRUCTURAL STEEL TO BE S355, Q345B/D, S235 AND Q235. OUTFITTING STEEL TO BE S235, Q235 OR EQUIVALENT.
 - FOR WINTERIZATION / ARCTIC AREAS OPERATION STEEL TO BE Q345D/S355 WITH CHARPY TESTING AT -20 DEGREES.
 - WIRE LENGTHS: WIRE AFT - $\phi 16$: 18.5 m + 2 x (H + H1)
WIRE FWD - $\phi 16$: 21 m + 2 x (H + H1)
REMOTE LOWERING WIRE: DECK WIRE - $\phi 3$: 11 m
BOAT WIRE - $\phi 3$: 12 m + (H + H1)
H = HEIGHT FROM STOWAGE TO L.W.L.
H1 = ADDITIONAL HEIGHT DUE TO LIST AND TRIM CONDITIONS, UNLESS OTHERWISE AGREED.
 - FOR LOCATION OF HATCHES, HOOKS AND OTHER BOAT DETAILS SEE BOAT DRAWINGS.
 - C.O.G. - CENTER OF GRAVITY (DAVIT WITH LIFEBOAT)



E-65 DAVIT

SWL HOISTING (MANUAL/ELECTRIC): 50 kN
 SWL LOWERING: 65 kN
 HOISTING SPEED OF LIFE TYPE: APPROX 5 m/min
 HOISTING SPEED OF RESCUE TYPE: APPROX 18 m/min
 DESIGN SPEC SOLAS: 10° TRIM, 20° LIST SIMULTANEOUSLY
 DEAD SHIP LOWERING SPEED: MAXIMUM 60 m/min

DAVIT WEIGHT INCLUDE NW-45 WINCH: 5550 KG

REV	DESCRIPTION	BY	CHECK	APPRO	DATE
5	Reissued for approval	MISO	ALJI	WAGU	26.06.2019
4	Updated parameter	ALJI	GACA	WAGU	28.03.2016
0	Issued for construction	ALJI	GACA	WAGU	13.02.2015

REVISION HISTORY

VIKING NORSAFE
 VIKING Norsafe Life-Saving Equipment Norway AS
 P.O Box 115
 4852 Færvik
 NORWAY
 Tel: +47 37 05 85 00
 Fax: +47 37 05 85 01
 24/7 Service: +47 37 05 63 33
 Email: viking@viking-life.com

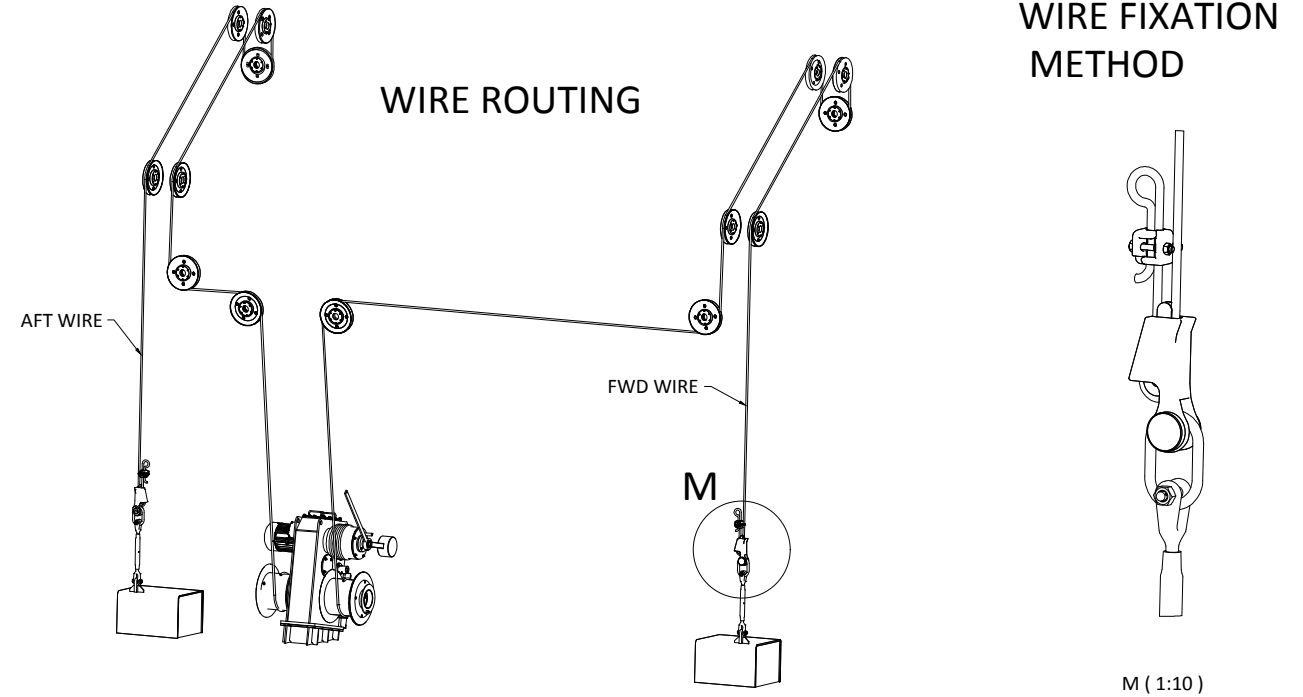
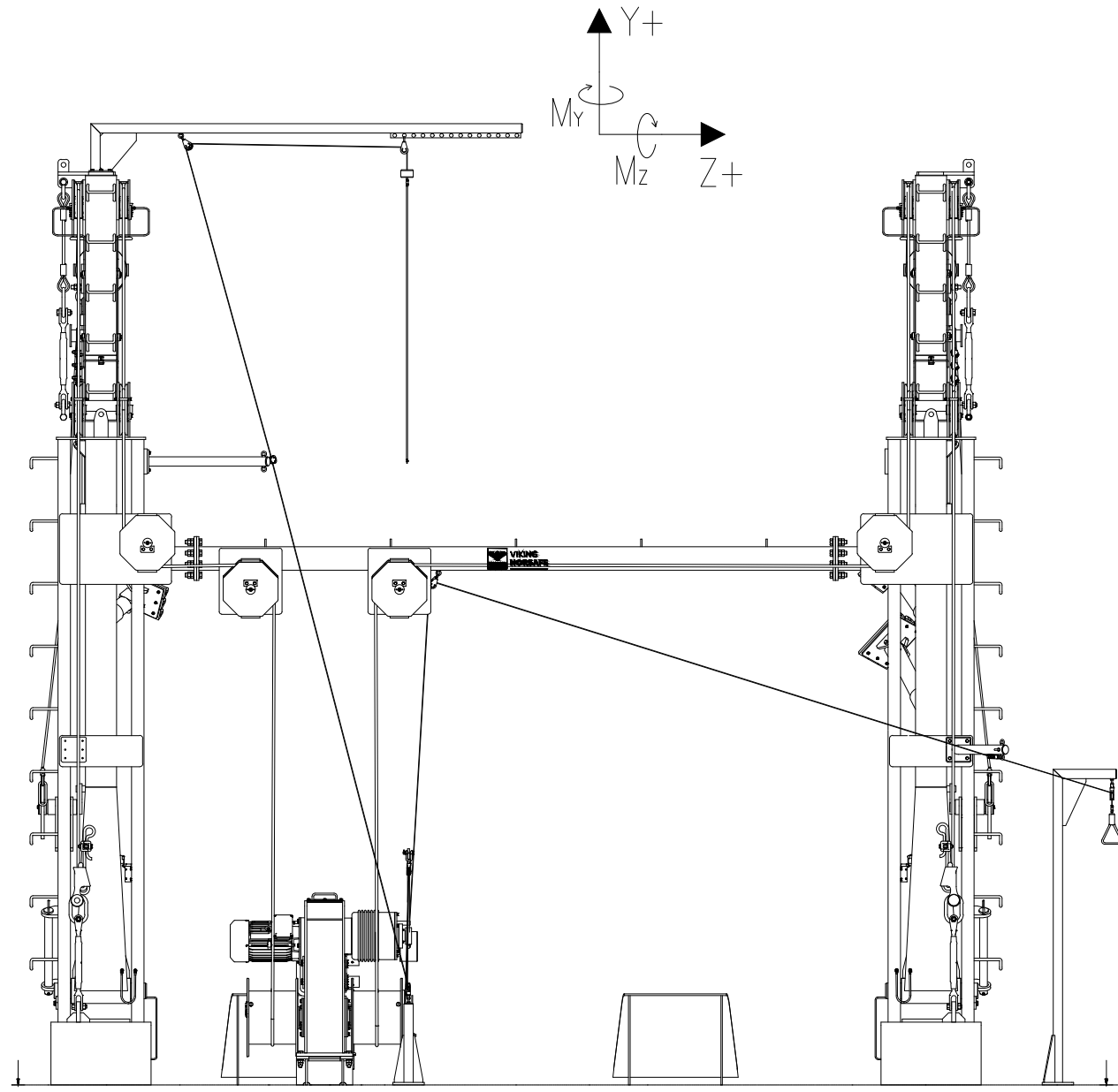
This drawing is the sole property of VIKING Norsafe Life-Saving Equipment Norway AS. It must not be submitted to other parties nor used in any manner detrimental to our interests. It shall not be copied, reproduced, used for manufacturing or sale without the written consent of VIKING Norsafe Life-Saving Equipment Norway AS. All rights are reserved.

DWG SIZE: A3 SCALE: 1:25 COPY OF: PART NO. WEIGHT: SHEET: 1/2

CLIENT NO. PROJECTION METHOD: E-65 General Arrangement with Lifeboat Type JYN57

TOLERANCES: ISO 2768-mk, ISO 13920-BF REVISION: 5 PROJECT: General Arrangement

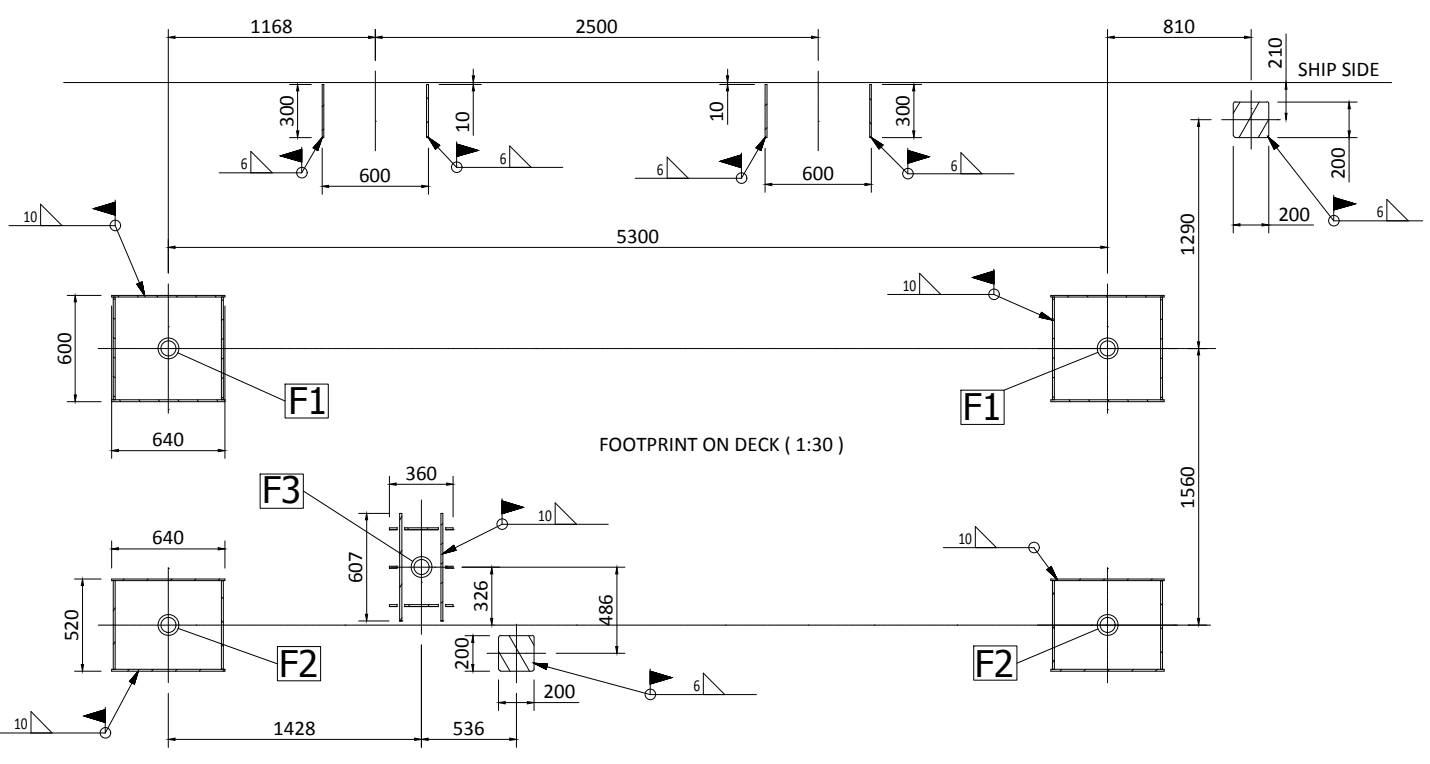
DWG No: G-500450



- NOTES:
1. IN CASE OF VESSELS CHAMBER DECK FOUNDATIONS ARE YARD SUPPLIED.
 2. FOR DIRECTION OF REACTION FORCES SEE LEGEND ON SHEET 1
 3. ALL FORCES ARE NOMINAL FORCES WITHOUT ANY FACTORS
 4. ALL FOUNDATIONS SHALL BE DESIGNED WITH A SAFETY FACTOR 4,5 AT MINIMUM.

JOINT LOADS ON EACH SIDE (FOR ORIENTATION OF FORCES SEE LEGEND)
REACTIONS FOR DIFFERENT COMBINATION OF 20° LIST & 10° TRIM

	FORCE X	FORCE Y	FORCE Z	MOM X	MOM Y	MOM Z
F1	±45kN	±130kN	±27kN	±33kNm	±28kNm	±39kNm
F2	±30kN	±108kN	±20kN	±35kNm	±30kNm	±55kNm
F3	±11kN	±33kN	±6kN	±0kNm	±0kNm	±22kNm



5	Reissued for approval	MISO	ALJI	WAGU	26.06.2019
4	Updated parameter	ALJI	GACA	WAGU	28.03.2016
0	Issued for construction	ALJI	GACA	WAGU	13.02.2015
REV	DESCRIPTION	BY	CHECK	APPRO	DATE

REVISION HISTORY

VIKING NORSAFE

VIKING Norsafe Life-Saving Equipment Norway AS
P.O Box 115 Tel: +47 37 05 85 00
4852 Færvik Fax: +47 37 05 85 01
NORWAY 24/7 Service: +47 37 05 63 33
Email: viking@viking-life.com

This drawing is the sole property of VIKING Norsafe Life-Saving Equipment Norway AS. It must not be submitted to other parties nor used in any manner detrimental to our interests. It shall not be copied, reproduced, used for manufacturing or sale without the written consent of VIKING Norsafe Life-Saving Equipment Norway AS. All rights are reserved.

DWG SIZE: A3	SCALE: 1:25	COPY OF:	PART NO.:	WEIGHT:	SHEET: 2 / 2
CLIENT NO:	PROJECTION METHOD:		E-65 General Arrangement with Lifeboat Type JYN57		
TOLERANCES: ISO 2768-mk, ISO 13920-BF	REVISION: 5		PROJECT: General Arrangement		
DWG No: G-500450	PROJECT:				