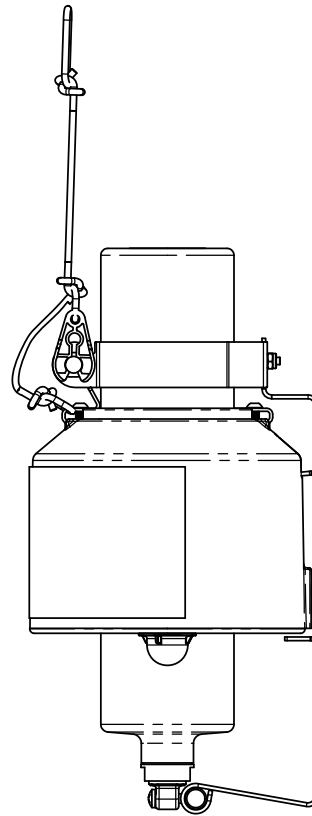
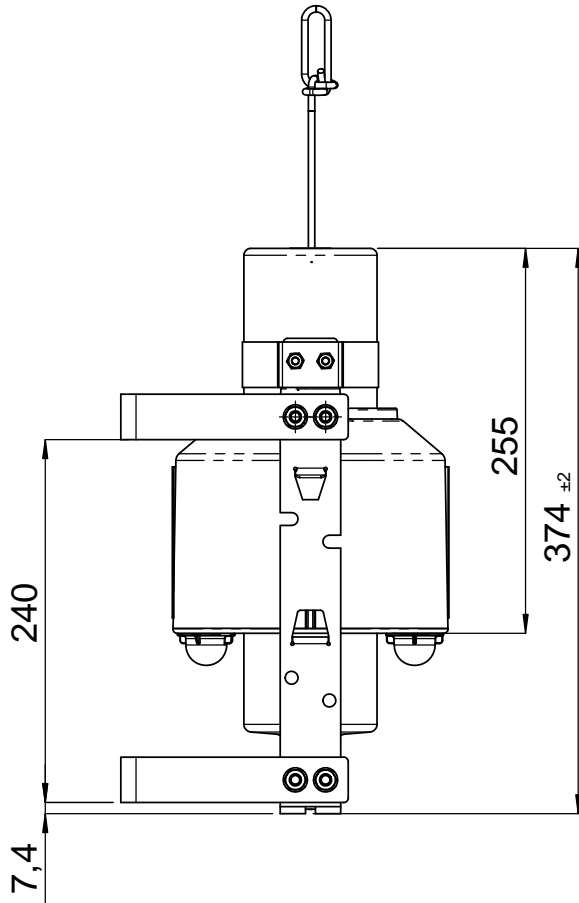
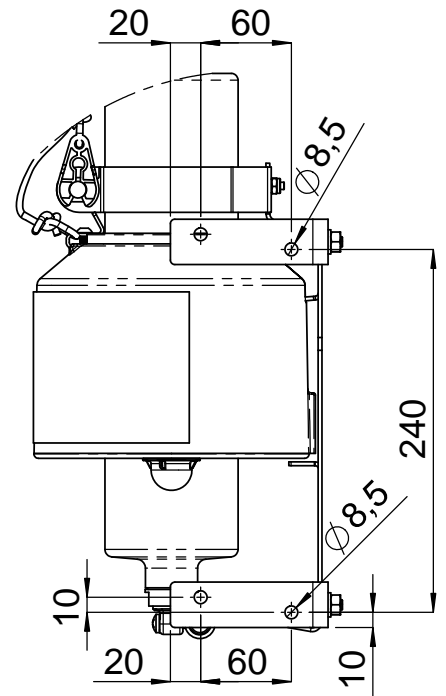
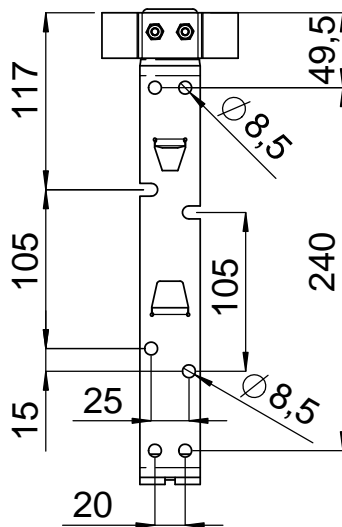
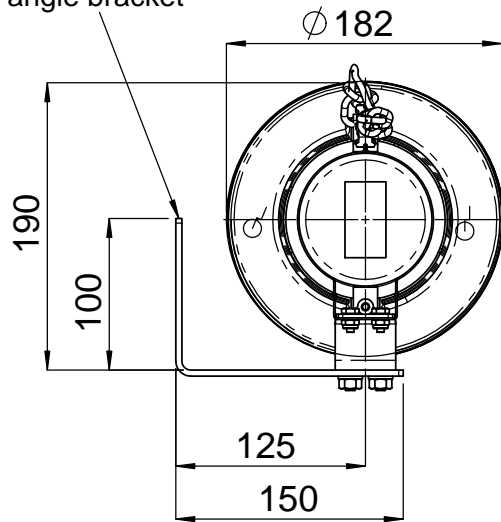


shown without angle bracket



angle bracket



MOB with bracket with angel bracket = 3,7 kg
 MOB with bracket without angel bracket = 3,4 kg

NEQ = 1170g ±151g

				Tolerances					
				ISO 2768-m				9181600	
		2014	Day	Name		Light Smoke Signal Interface drawing		Scale	
		Drawn	19.02	Kleemeyer				1:5	
		Check							
		Approv.				5841-100		Sheet	
b	direction	11.06.15	Kallweit	DMSS Germany GmbH				1 of 1	
a	Footprint	31.07.14	Klee					Bremerhaven	
Rev.	Change Notice	Day	Name					DIN A4	